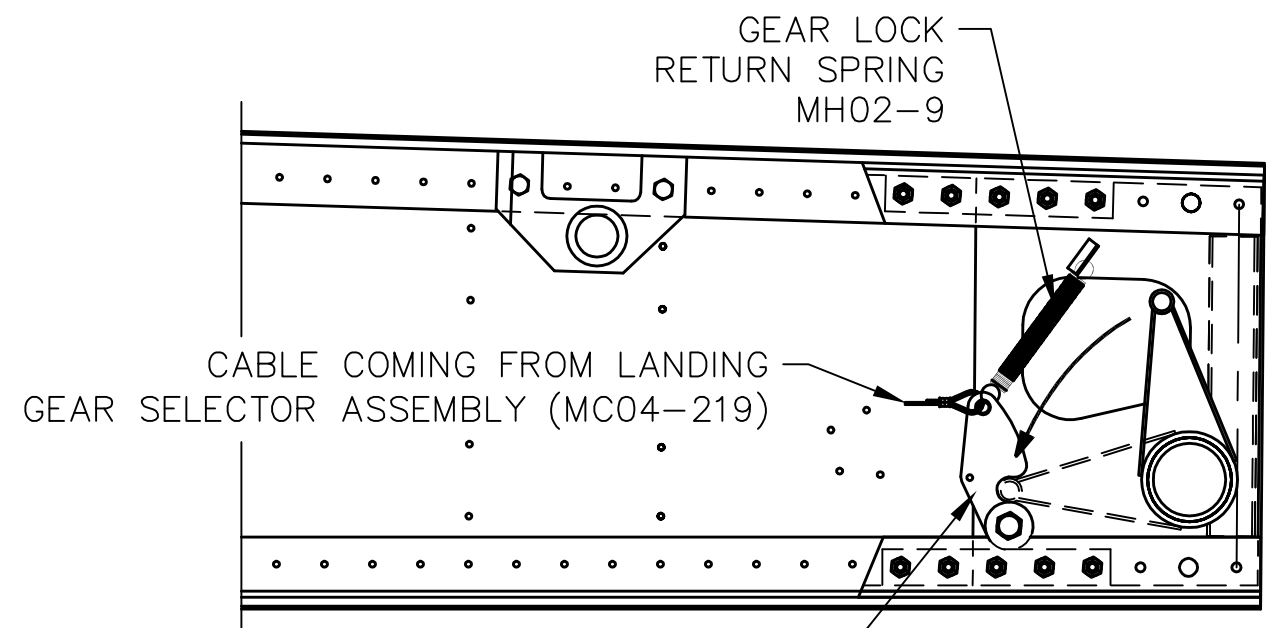
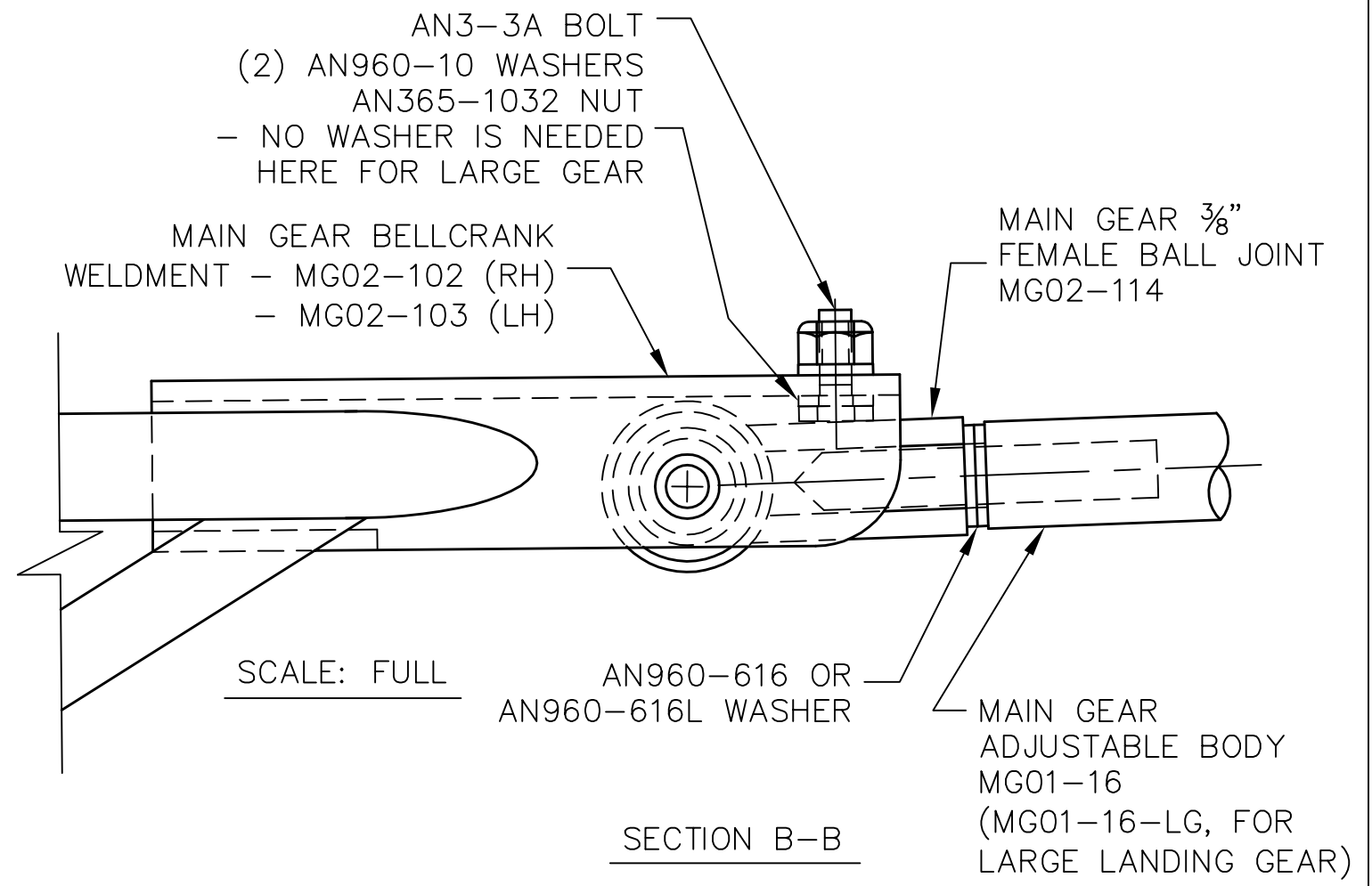
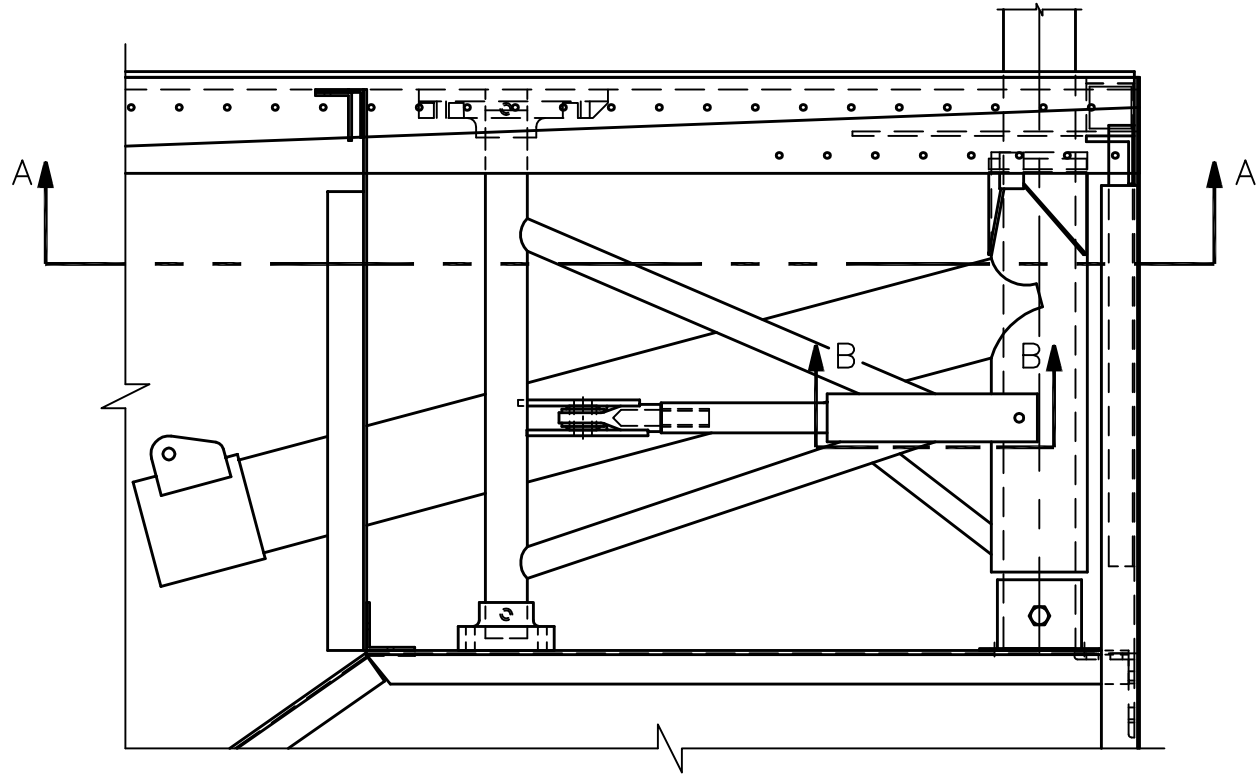


REVISIONS

E.C. NO.	REV.	DESCRIPTION	BY	DATE
	A	DRAWING RELEASED	KL	1/03
0320	B	NOTES ADDED	SH	8/06
0964	C	LARGE GEAR NOTES ADDED	SH	6/09



TITAN AIRCRAFT SUPPLY
 1419 STATE ROUTE 45 SOUTH
 AUSTINBURG, OHIO 44010

DETAIL NAME		MAIN GEAR LOCK ASSEMBLY DETAILS	
SCALE	1/4"=1"	PART NO.	
ASSEMBLY NAME			
PART NO.		DRAWING NO. LG4	
DRAWING NO.		B T51-03-INS-0599-C	

DRAWN K. LIPLIN	DATE 1/28/04
CHECKED R. INGLE	DATE 7/1/09
APPROVED K. BROOKS	DATE 8/7/09

THIS DOCUMENT PROPRIETARY TO TITAN AIRCRAFT, AND IS NOT TO BE USED,
 CIRCULATED, REPRODUCED, COPIED, OR DISCLOSED IN ANY MANNER WITHOUT
 PRIOR WRITTEN PERMISSION OF AN AUTHORIZED OFFICIAL OF TITAN AIRCRAFT.