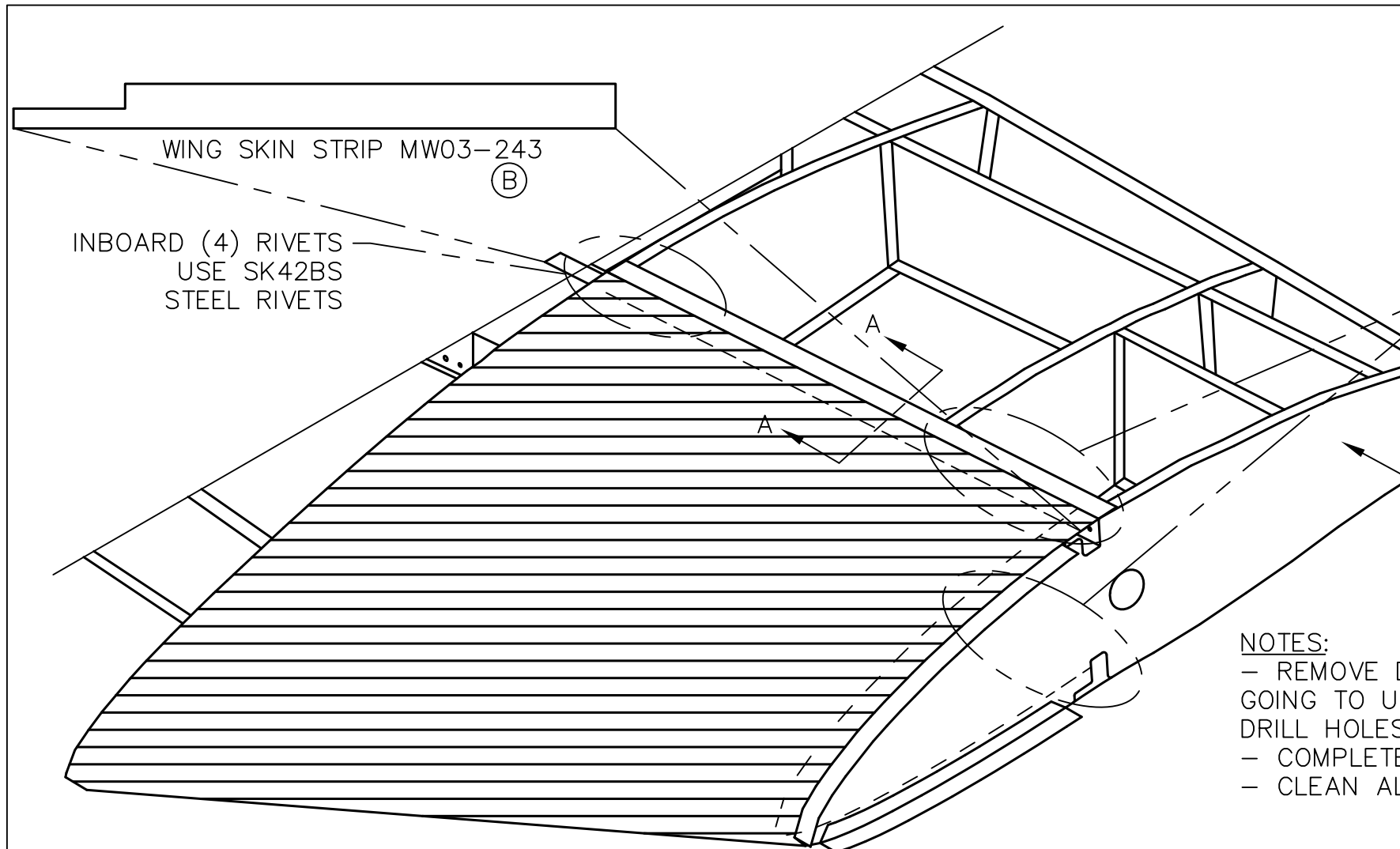


REVISIONS

E.C. NO.	REV.	DESCRIPTION	BY	DATE
	A	DRAWING RELEASED	KL	2/03
0096	B	ADDED WING SKIN STRIP	CE	5/04
0454	C	UPDATED DRAWING	SH	3/07
0925	D	UPDATED DRAWING	SH	4/09



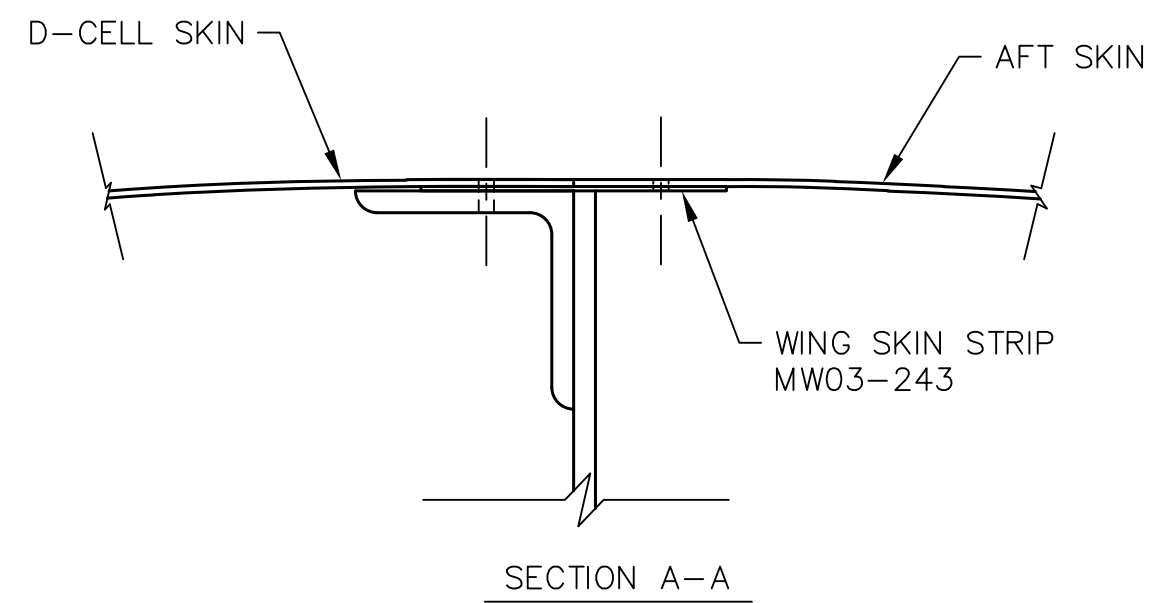
WING SKIN STRIP MW03-243
 (B)

INBOARD (4) RIVETS
 USE SK42BS
 STEEL RIVETS

OUTBOARD (8) RIVETS
 USE SK42BS STEEL RIVETS
 (TOP & BOTTOM)

RIB #4

- NOTES:**
- REMOVE D-CELL SKIN AND CENTER SECTION FOAM. IF YOU ARE GOING TO USE FLUSH RIVETS, YOU WILL NEED TO DIMPLE THE #30 DRILL HOLES ON THE FLANGES AND D-CELL SKIN.
 - COMPLETE FINAL FIT BEFORE INSTALLING SKINS.
 - CLEAN ALL SURFACES, BOND AND RIVET FLANGES TO THE RIB.




D-CELL SKIN

AFT SKIN

WING SKIN STRIP
 MW03-243

SECTION A-A

THIS DOCUMENT PROPRIETARY TO TITAN AIRCRAFT, AND IS NOT TO BE USED, REPRODUCED, COPIED, OR DISCLOSED IN ANY MANNER WITHOUT PRIOR WRITTEN PERMISSION OF AN AUTHORIZED OFFICIAL OF TITAN AIRCRAFT.

 TITAN AIRCRAFT SUPPLY 1419 STATE ROUTE 45 SOUTH AUSTINBURG, OHIO 44010	
DETAIL NAME #4 RIB FLANGE INSTALLATION	
SCALE 1/8"=1"	PART NO.
ASSEMBLY NAME	
PART NO.	DRAWING NO. CS14
DRAWING NO. B T51-03-INS-0604-D	

DRAWN K. LIPLIN	DATE 2/7/03
CHECKED J.W.	DATE 10/15/18
APPROVED	DATE