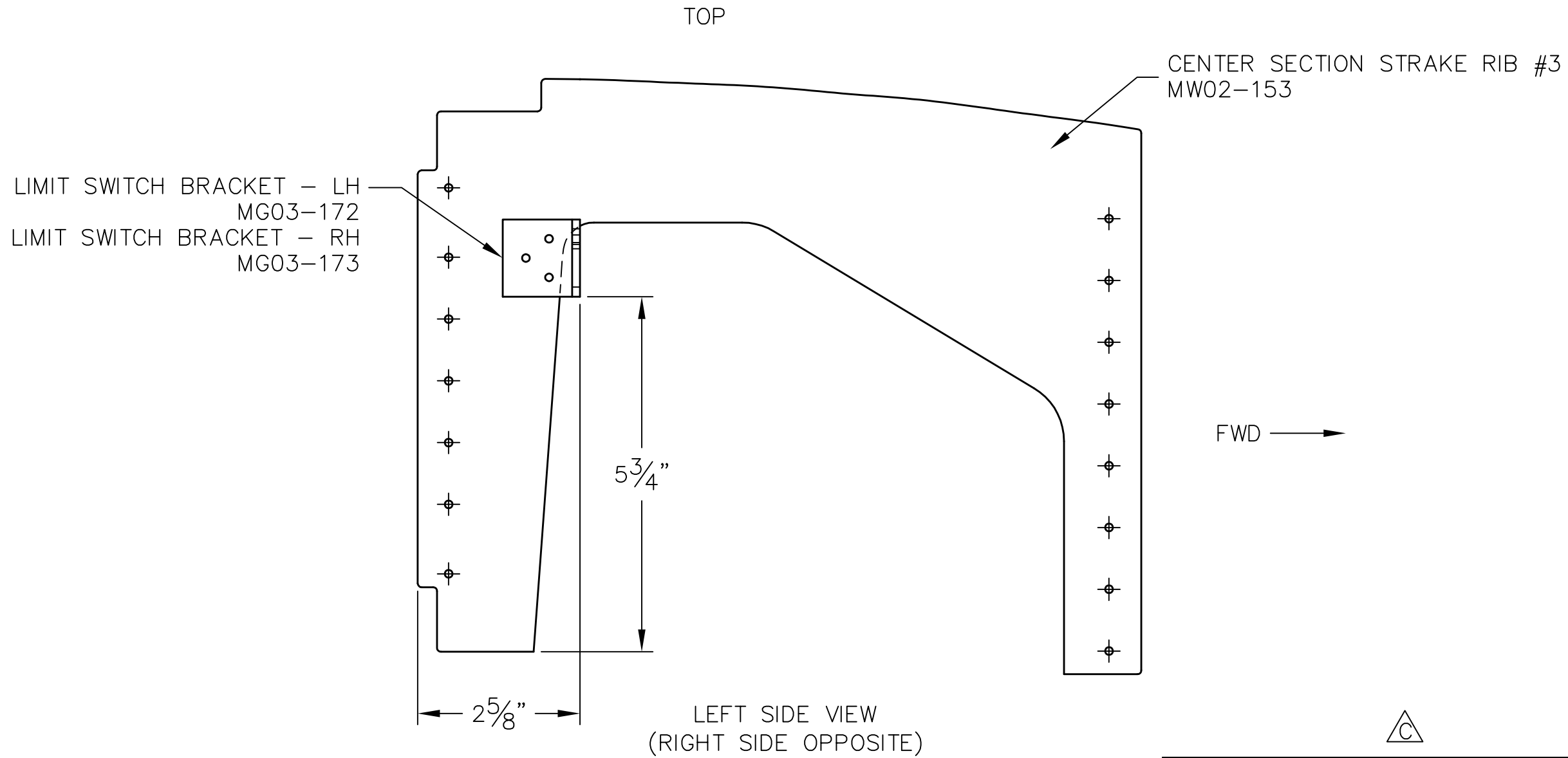


NOTE:
 - LIMIT SWITCH BRACKETS FACE INBOARD

REVISIONS				
E.C. NO.	REV.	DESCRIPTION	BY	DATE
	A	DRAWING RELEASED	BH	10/03
0374	B	NOTES ADDED	BH	10/03
0946	C	CORRECTED DESCRIPTION	SH	5/09



THIS DOCUMENT PROPRIETARY TO TITAN AIRCRAFT, AND IS NOT TO BE USED, CIRCULATED, REPRODUCED, COPIED, OR DISCLOSED IN ANY MANNER WITHOUT PRIOR WRITTEN PERMISSION OF AN AUTHORIZED OFFICIAL OF TITAN AIRCRAFT.


TITAN AIRCRAFT SUPPLY
 1419 STATE ROUTE 45 SOUTH
 AUSTINBURG, OHIO 44010

DETAIL NAME		DOWN LIMIT SWITCH BRACKET INSTALLATION		
DRAWN	DATE	SCALE	PART NO.	
B. HODGKINSON	10/14/03	N/A		
CHECKED	DATE	ASSEMBLY NAME		
R. INGLE	1/25/10	PART NO.	DRAWING NO. CS12	
APPROVED	DATE	DRAWING NO. B T51-03-INS-0928-C		
K. BROOKS	1/26/10			