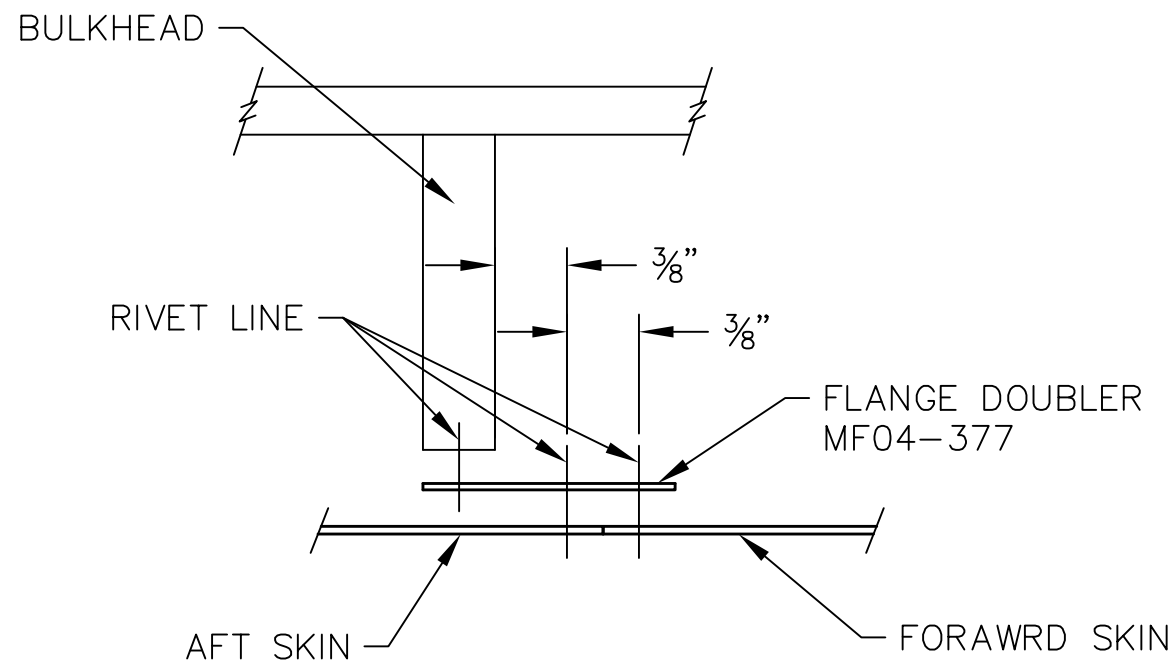
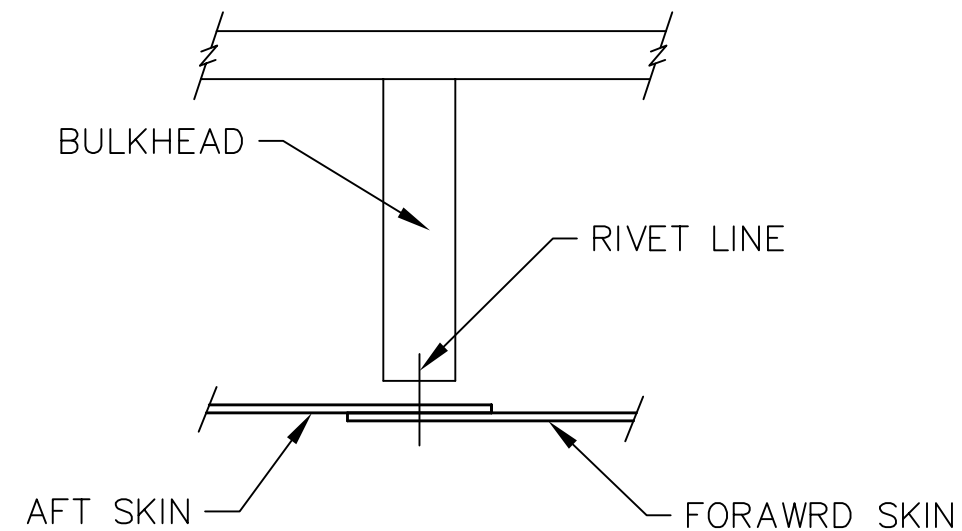


REVISIONS				
E.C. NO.	REV.	DESCRIPTION	BY	DATE
	A	DRWAING RELEASED	CE	6/04



BUTTED SKIN SECTION



OVERLAPPED SKIN SECTION

THIS DOCUMENT PROPRIETARY TO TITAN AIRCRAFT, AND IS NOT TO BE USED, CIRCULATED, REPRODUCED, COPIED, OR DISCLOSED IN ANY MANNER WITHOUT PRIOR WRITTEN PERMISSION OF AN AUTHORIZED OFFICIAL OF TITAN AIRCRAFT.



**TITAN AIRCRAFT SUPPLY**  
 1419 STATE ROUTE 45 SOUTH  
 AUSTINBURG, OHIO 44010

MATERIAL	
DRAWN C. EMERY	DATE 7/14/04
CHECKED MSH	DATE 4/12/07
APPROVED JW	DATE 4/27/07

DETAIL NAME		SKIN ATTACHMENT INSTRUCTIONAL	
SCALE	NTS	PART NO.	
ASSEMBLY NAME			
PART NO.		DRAWING NO.	
DRAWING NO.		B T51-04-INS-1087-A	