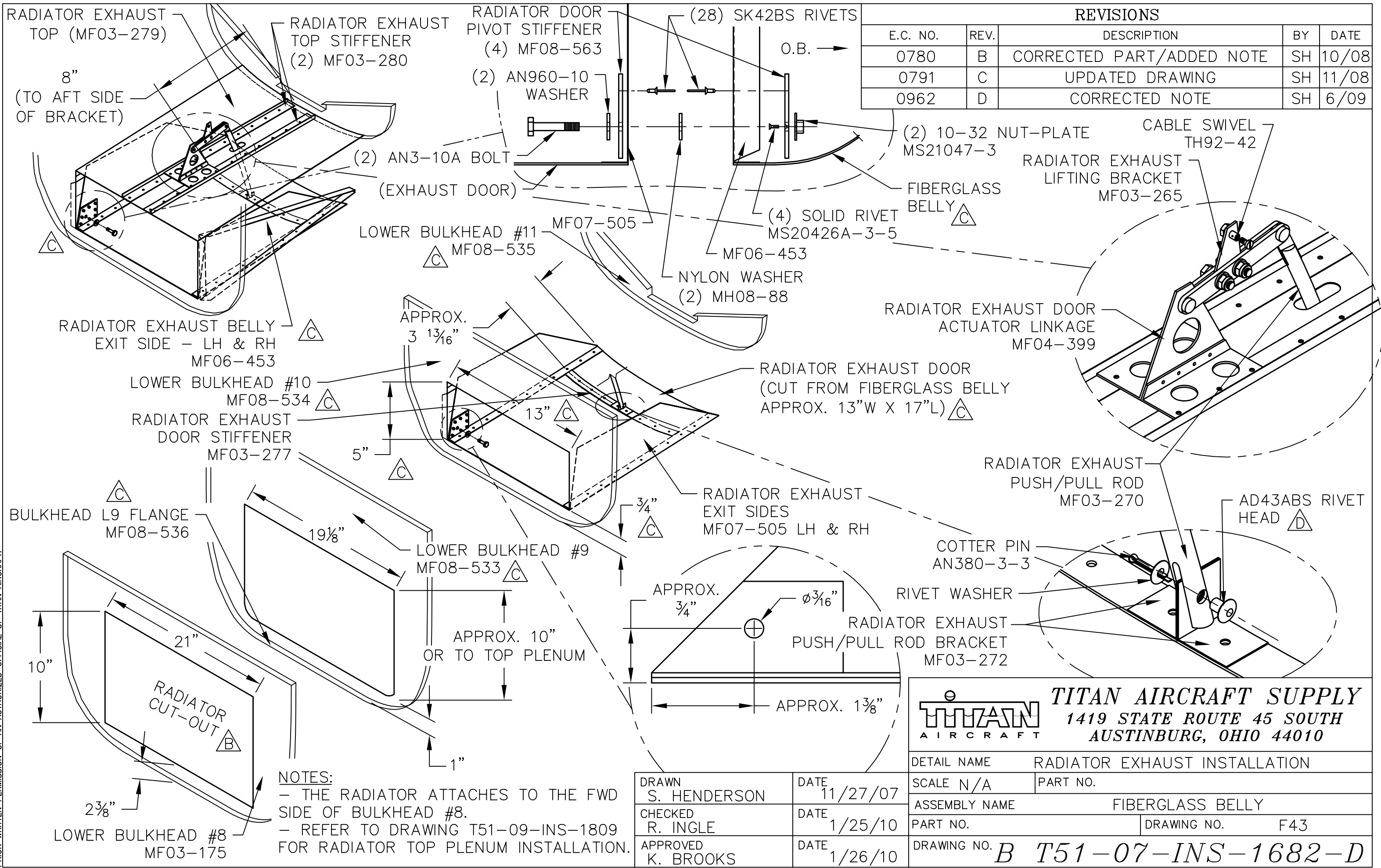
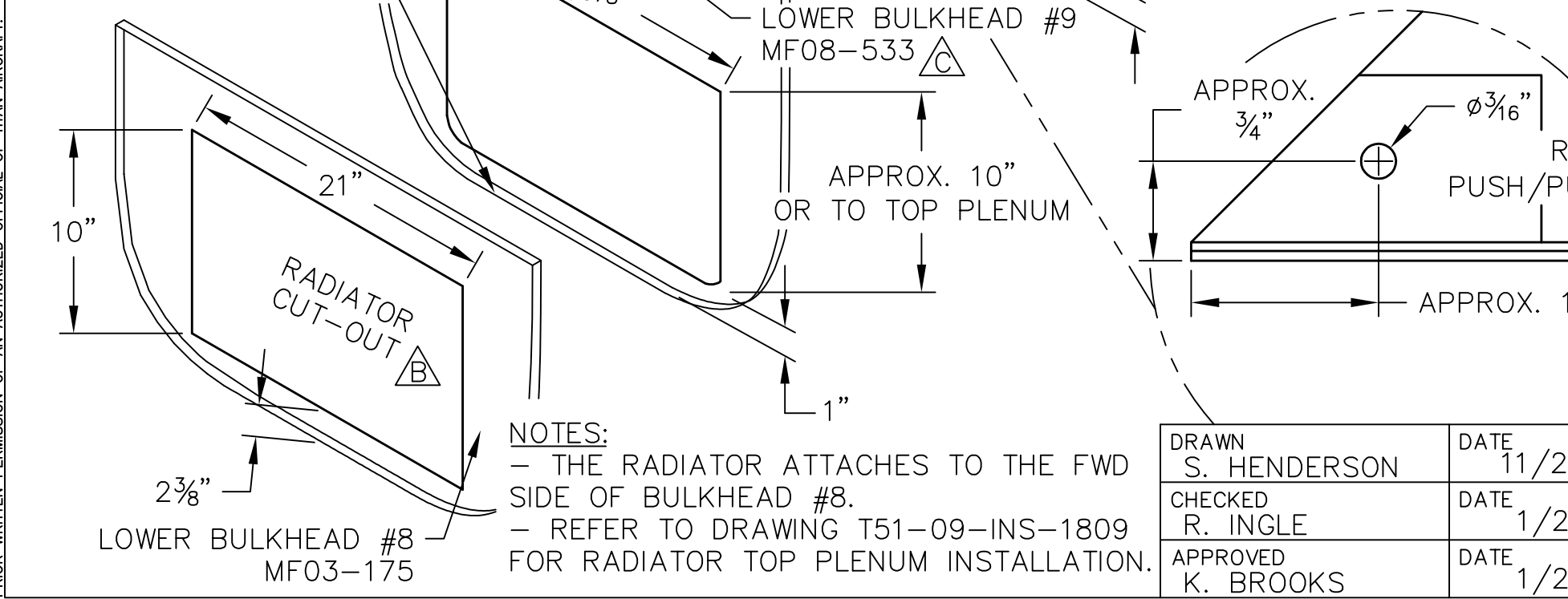
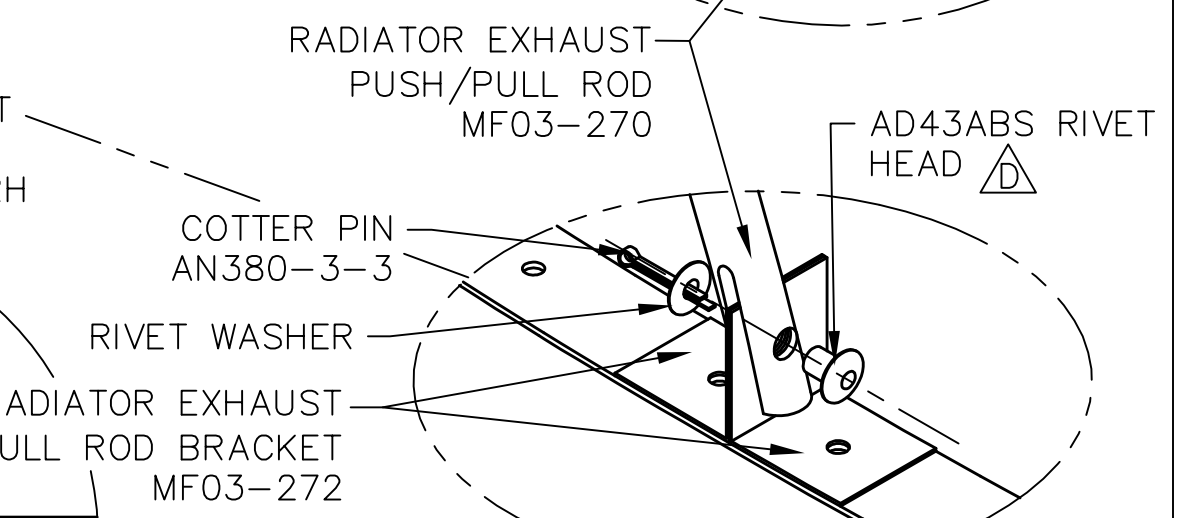
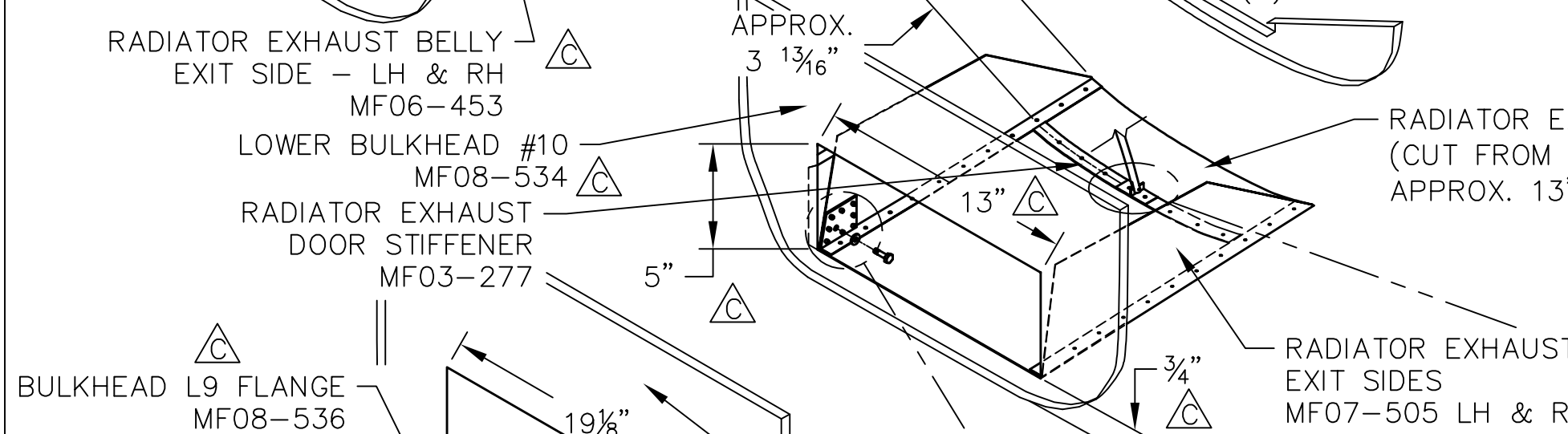
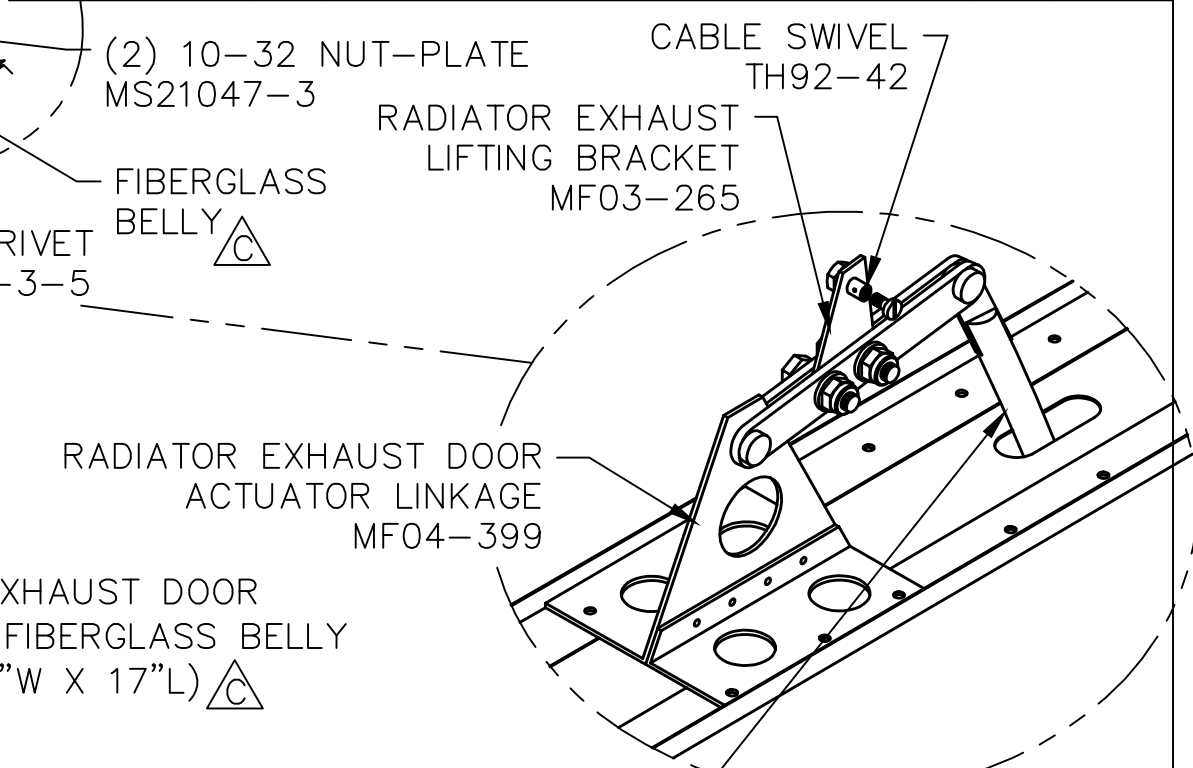
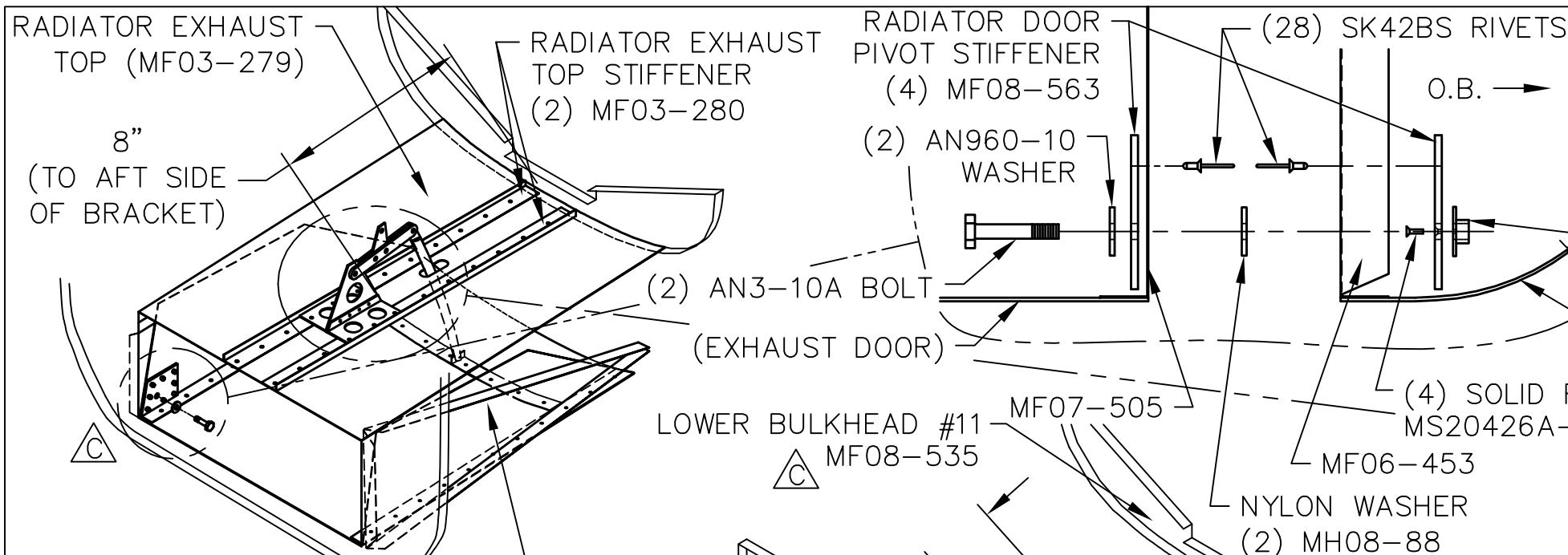


THIS DOCUMENT PROPRIETARY TO TITAN AIRCRAFT, AND IS NOT TO BE USED, CIRCULATED, REPRODUCED, COPIED, OR DISCLOSED IN ANY MANNER WITHOUT PRIOR WRITTEN PERMISSION OF AN AUTHORIZED OFFICIAL OF TITAN AIRCRAFT.



REVISIONS				
E.C. NO.	REV.	DESCRIPTION	BY	DATE
0780	B	CORRECTED PART/ADDED NOTE	SH	10/08
0791	C	UPDATED DRAWING	SH	11/08
0962	D	CORRECTED NOTE	SH	6/09



NOTES:
 - THE RADIATOR ATTACHES TO THE FWD SIDE OF BULKHEAD #8.
 - REFER TO DRAWING T51-09-INS-1809 FOR RADIATOR TOP PLENUM INSTALLATION.

DRAWN S. HENDERSON	DATE 11/27/07
CHECKED R. INGLE	DATE 1/25/10
APPROVED K. BROOKS	DATE 1/26/10

TITAN AIRCRAFT SUPPLY
 1419 STATE ROUTE 45 SOUTH
 AUSTINBURG, OHIO 44010

DETAIL NAME	RADIATOR EXHAUST INSTALLATION		
SCALE	N/A	PART NO.	
ASSEMBLY NAME	FIBERGLASS BELLY		
PART NO.		DRAWING NO.	F43
DRAWING NO.	B T51-07-INS-1682-D		