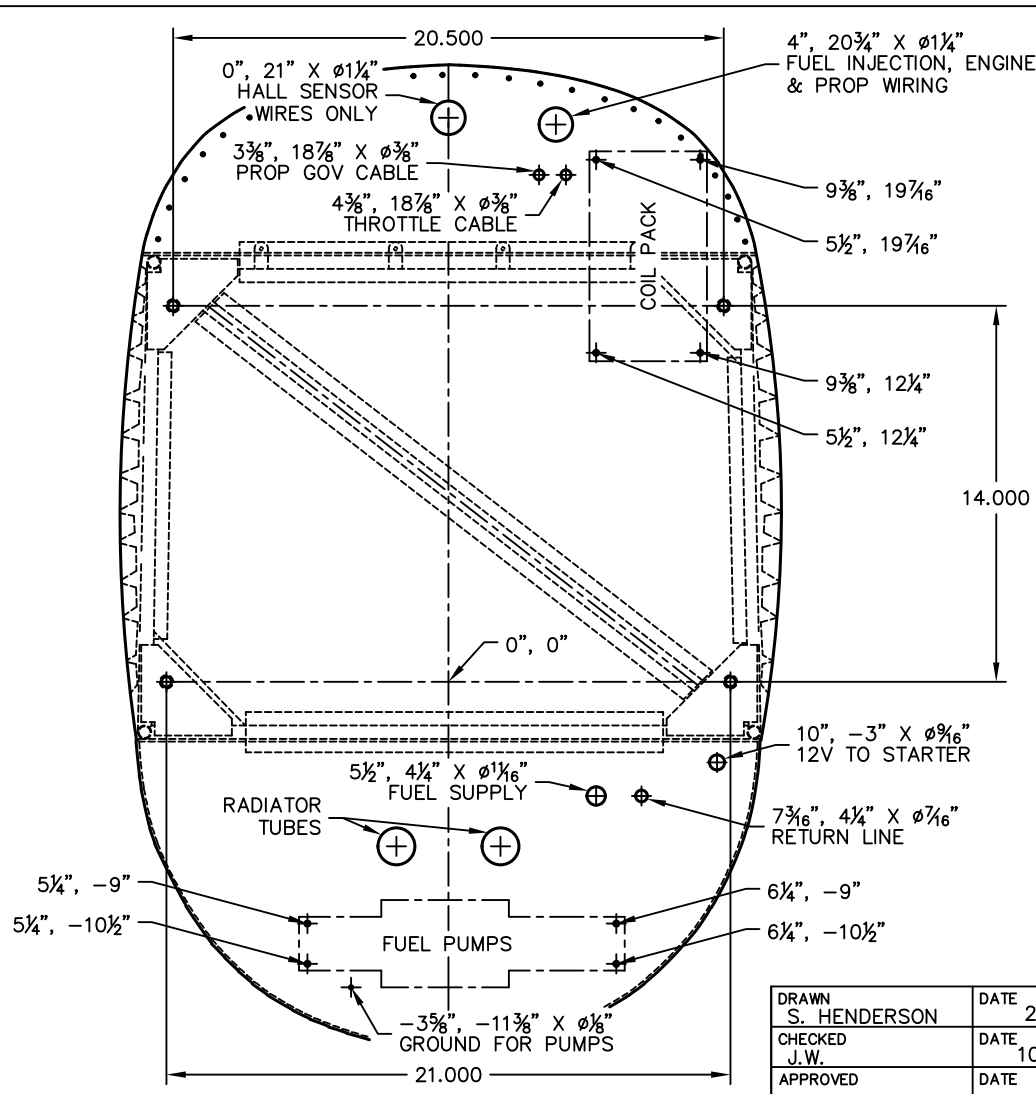


THIS DOCUMENT IS PROPRIETARY TO TITAN AIRCRAFT, AND IS NOT TO BE USED OR REPRODUCED IN ANY MANNER WITHOUT THE WRITTEN PERMISSION OF AN AUTHORIZED OFFICIAL OF TITAN AIRCRAFT.



REVISIONS				
E.C. NO.	REV.	DESCRIPTION	BY	DATE
0684	B	FUEL PUMPS MOVED	SH	5/08
0943	C	HOLES MOVED/NO MORE HEADER TANK	SH	4/09
1112	D	CORRECTED DIMENSIONS	BH	11/10

NOTES:
 - ALL HOLES DRILLED FOR ELECTRICAL/FUEL LINES WILL NEED RUBBER GROMMETS TO PREVENT DAMAGE TO WIRES/TUBES.
 - ALL DIMENSIONS SHOWN ARE TAKEN FROM THE 0", 0" DIMENSION WHICH IS THE CENTERLINE OF THE AIRCRAFT AND THE LOWER ENGINE MOUNTING HOLES.
 - THE TWO HOLES WITHOUT DIMENSIONS ARE FOR THE RADIATOR TUBES (REFER TO T51-06-INS-1487.)

TITAN AIRCRAFT SUPPLY
 1419 STATE ROUTE 45 SOUTH
 AUSTINBURG, OHIO 44010

DETAIL NAME		SUZUKI FIREWALL LAYOUT TEMPLATE	
SCALE	1/4"=1"	PART NO.	
ASSEMBLY NAME		SUZUKI V6 ONLY	
PART NO.		DRAWING NO.	F9
DRAWING NO.		B T51-08-INS-1711-D	

DRAWN	S. HENDERSON	DATE	2/18/08
CHECKED	J.W.	DATE	10/15/18
APPROVED		DATE	