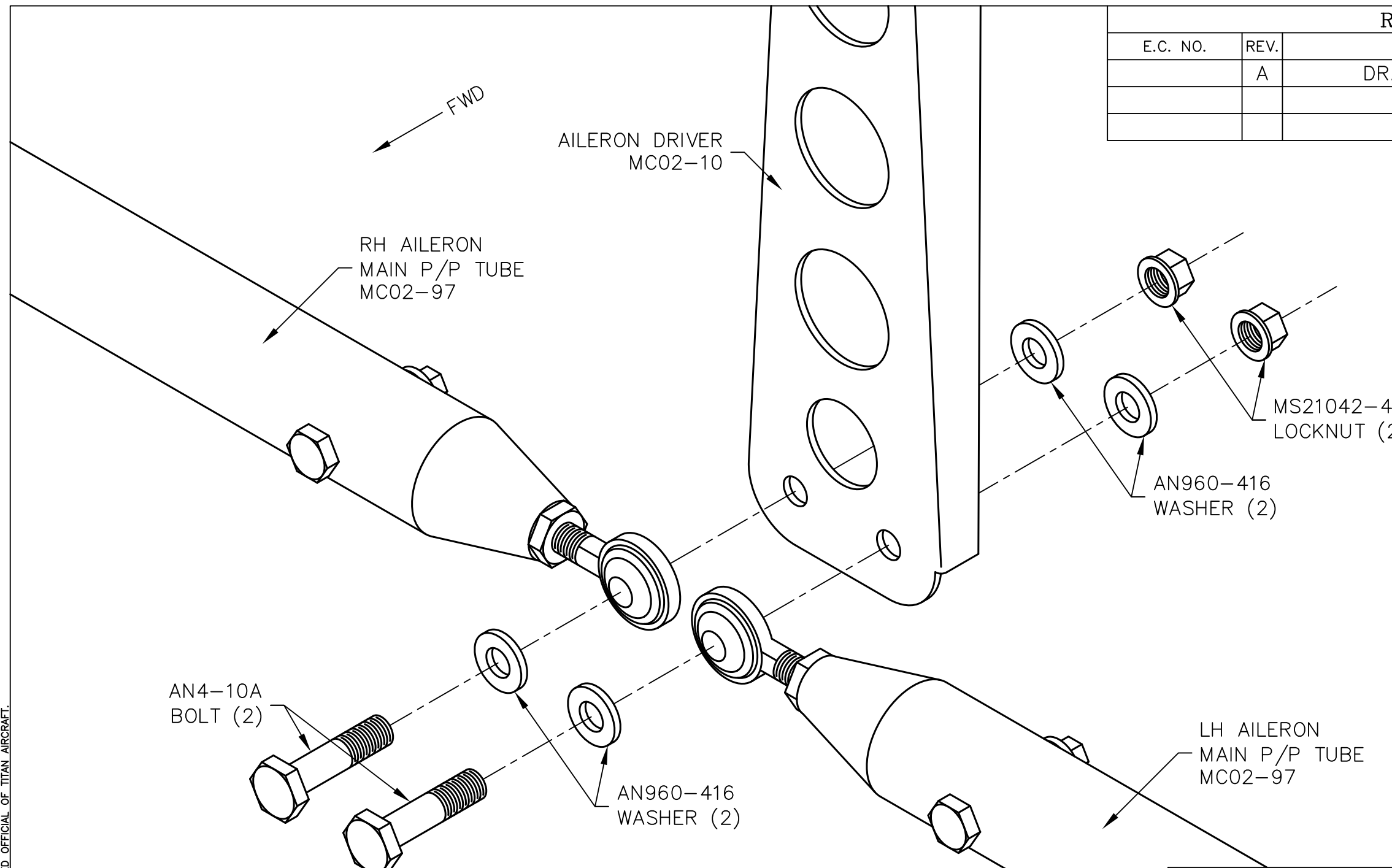


REVISIONS

E.C. NO.	REV.	DESCRIPTION	BY	DATE
	A	DRAWING RELEASED	BH	10/10



THIS DOCUMENT PROPRIETARY TO TITAN AIRCRAFT, AND IS NOT TO BE USED, REPRODUCED, COPIED, OR DISCLOSED IN ANY MANNER WITHOUT PRIOR WRITTEN PERMISSION OF AN AUTHORIZED OFFICIAL OF TITAN AIRCRAFT.

TITAN AIRCRAFT SUPPLY
TITAN AIRCRAFT 1419 STATE ROUTE 45 SOUTH
 AUSTINBURG, OHIO 44010

DETAIL NAME AILERON P/P RODS TO DRIVER INSTALLATION

DRAWN B. HARE	DATE 10/4/10	SCALE N/A	PART NO.
CHECKED J.W.	DATE 9/30/18	ASSEMBLY NAME	
APPROVED	DATE	PART NO.	DRAWING NO. S21
		DRAWING NO. <i>B T51-10-INS-1932-A</i>	