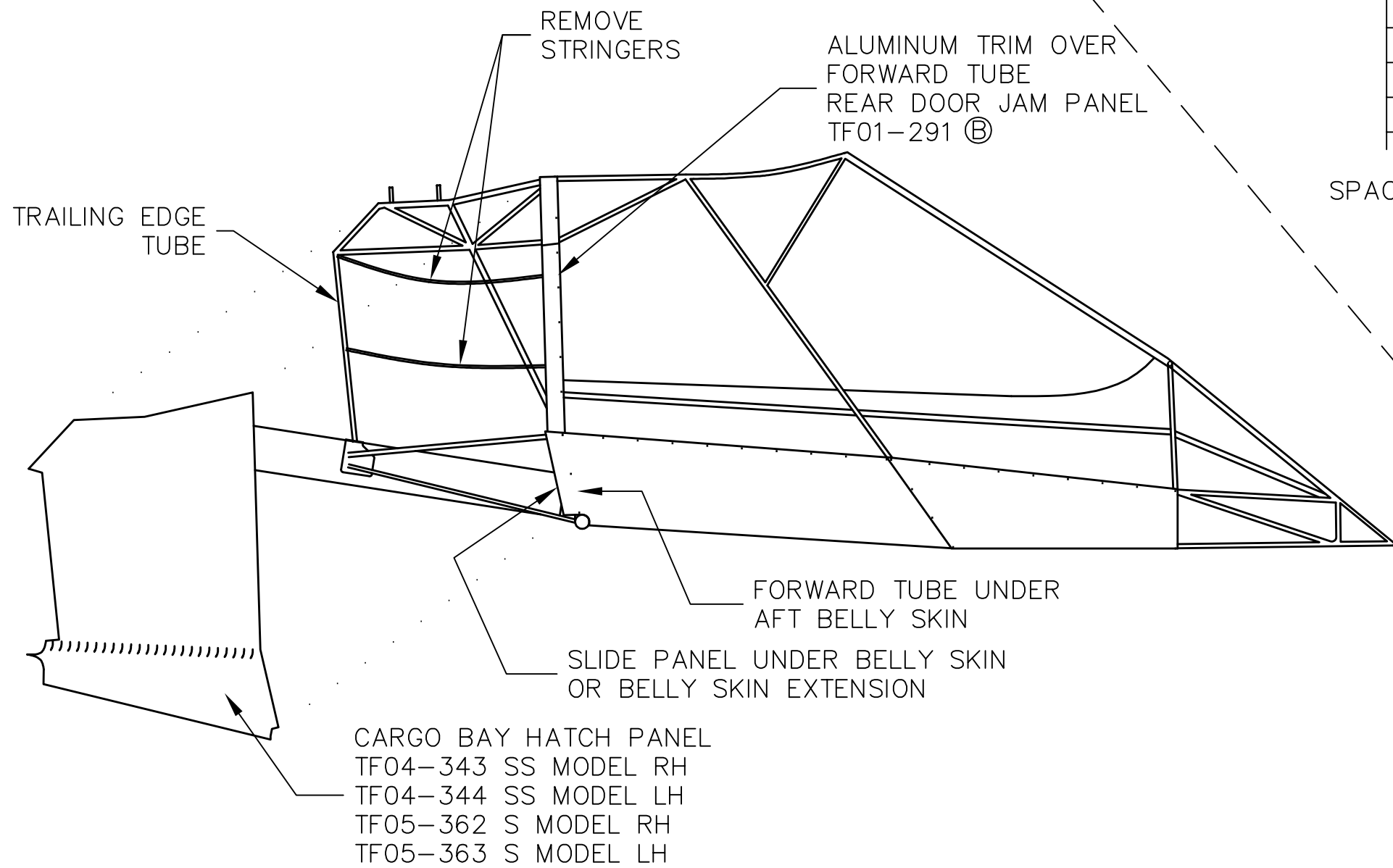
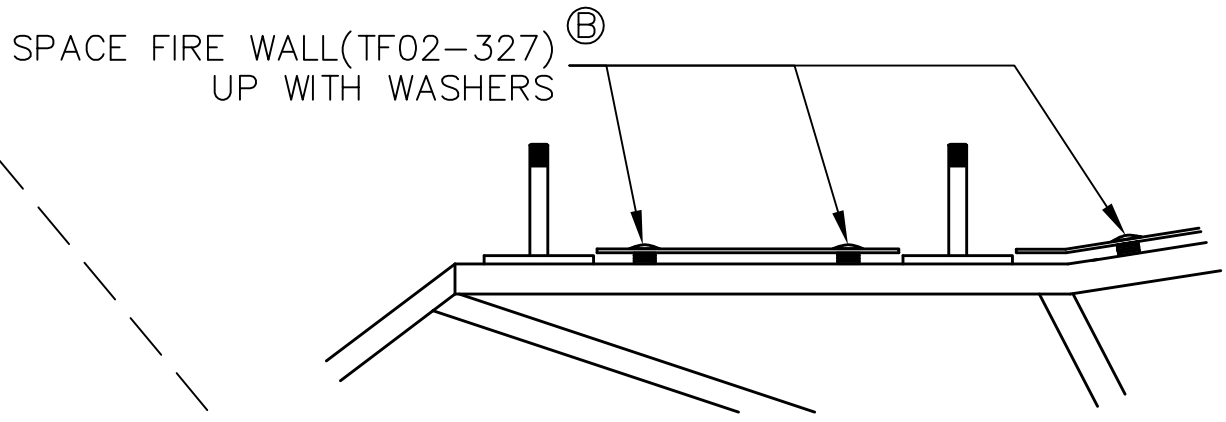


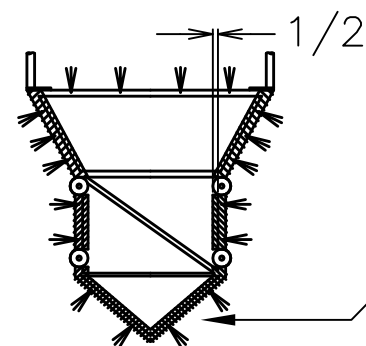
THIS DOCUMENT PROPRIETARY TO TITAN AIRCRAFT, AND IS NOT TO BE USED, CIRCULATED, REPRODUCED, COPIED, OR DISCLOSED IN ANY MANNER WITHOUT PRIOR WRITTEN PERMISSION OF AN AUTHORIZED OFFICIAL OF TITAN AIRCRAFT.



REVISIONS				
E.C. NO.	REV.	DESCRIPTION	BY	DATE
	A	DRAWING RELEASED	CE	10/05



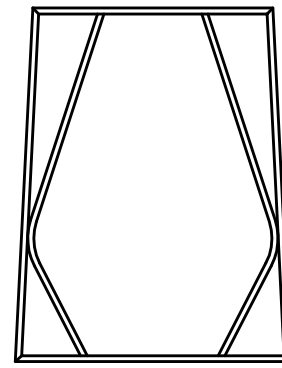
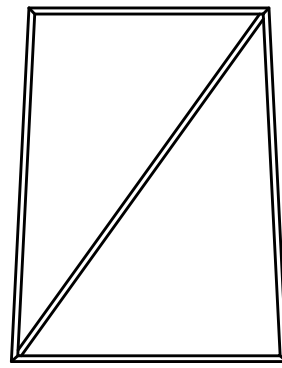
REMOVABLE PANEL ONLY  
RIGHT SIDE ONLY



SPACERS WILL BE NEEDED HERE

ARROWS SHOW RIVET LOCATIONS  
KEEP RIVET HOLES AT LEAST  
1/2 INCH FROM WELDS

ENGINE MOUNT AREA  
AND FIRE WALL(TF02-327)(B)



EARLY MODEL, CROSS-BRACED      LATE MODEL, SIDE BRACES  
LOOKING AFT FROM REAR SEAT

**TITAN AIRCRAFT SUPPLY**  
1419 STATE ROUTE 45 SOUTH  
AUSTINBURG, OHIO 44010

DETAIL NAME		FIBERGLASS PANEL INSTALLATION	
SCALE	N/A	PART NO.	
ASSEMBLY NAME S & SS TORNADOS WITH FIBERGLASS PANELS			
PART NO.		DRAWING NO.	
DRAWING NO.		B 05-INS-1432-A	

DRAWN C. EMERY	DATE 10/4/05
CHECKED G. TRUEX	DATE 10/4/05
APPROVED J. WILLIAMS	DATE 10/5/05