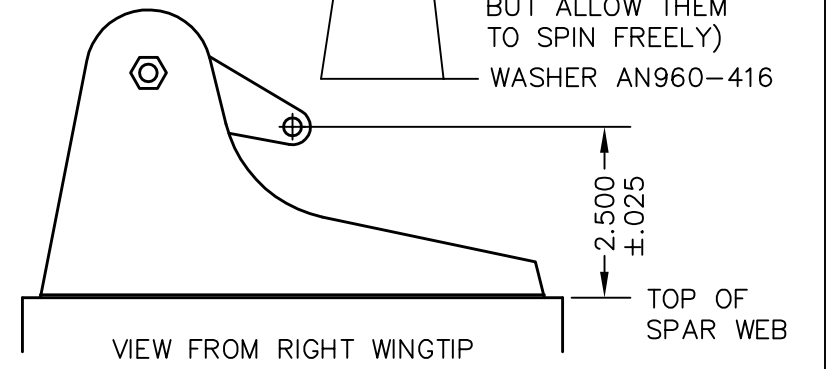
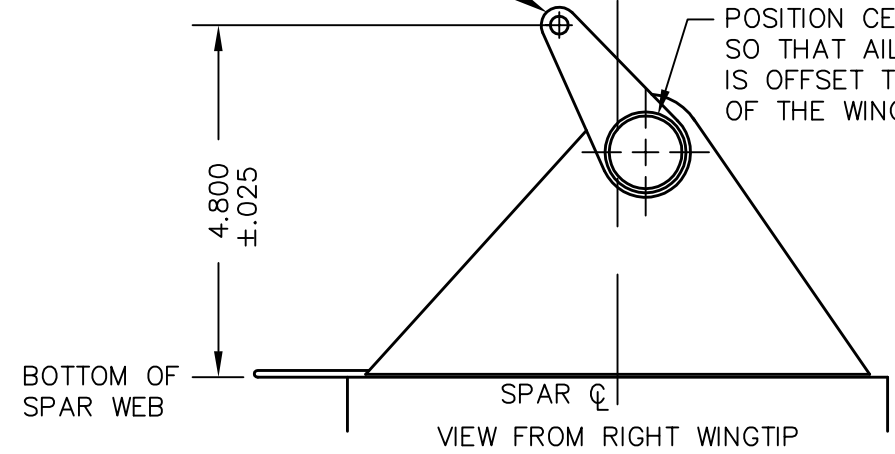
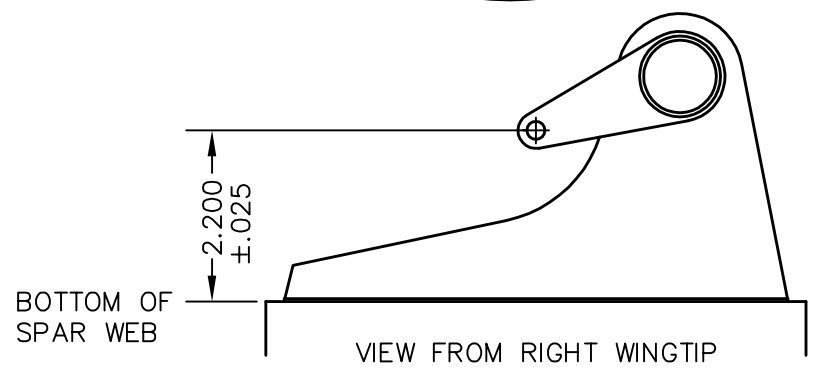
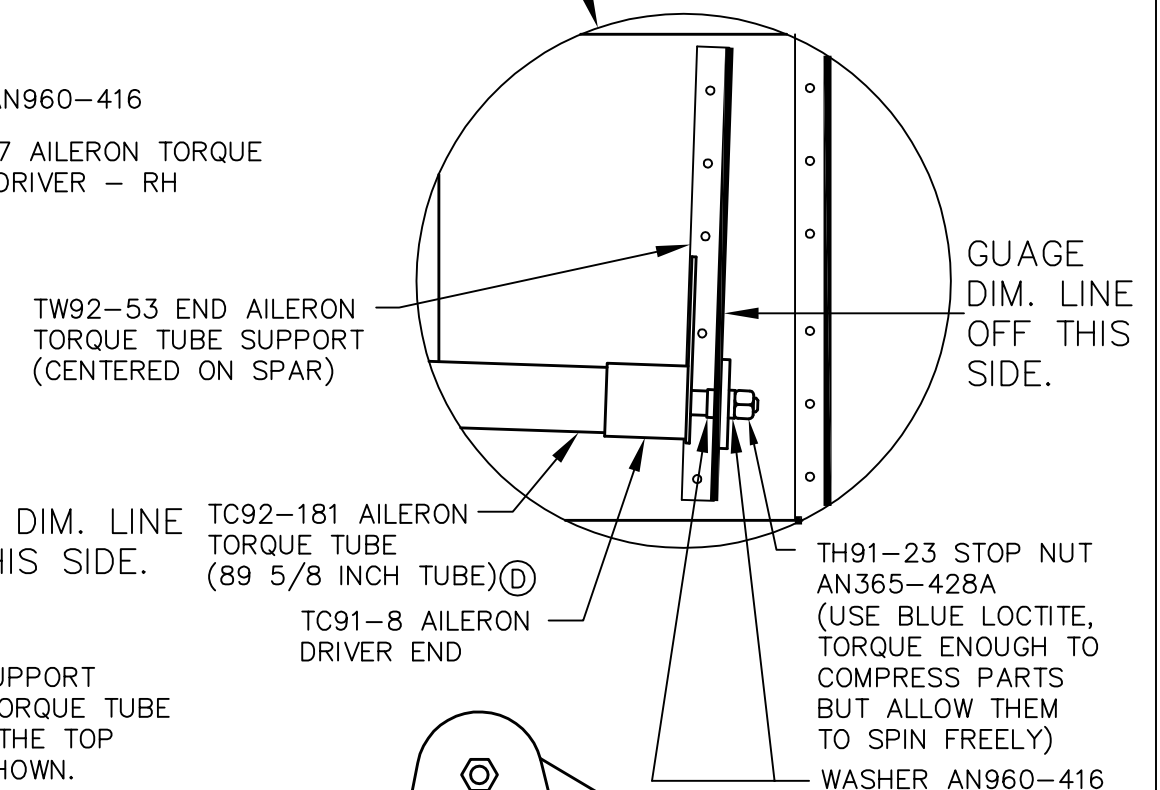
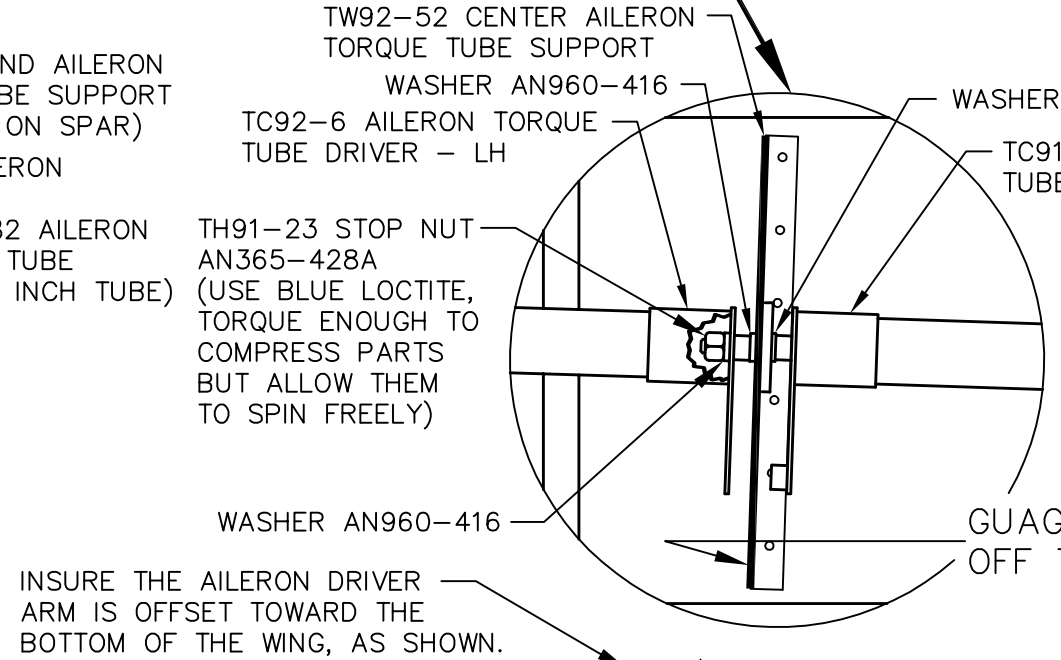
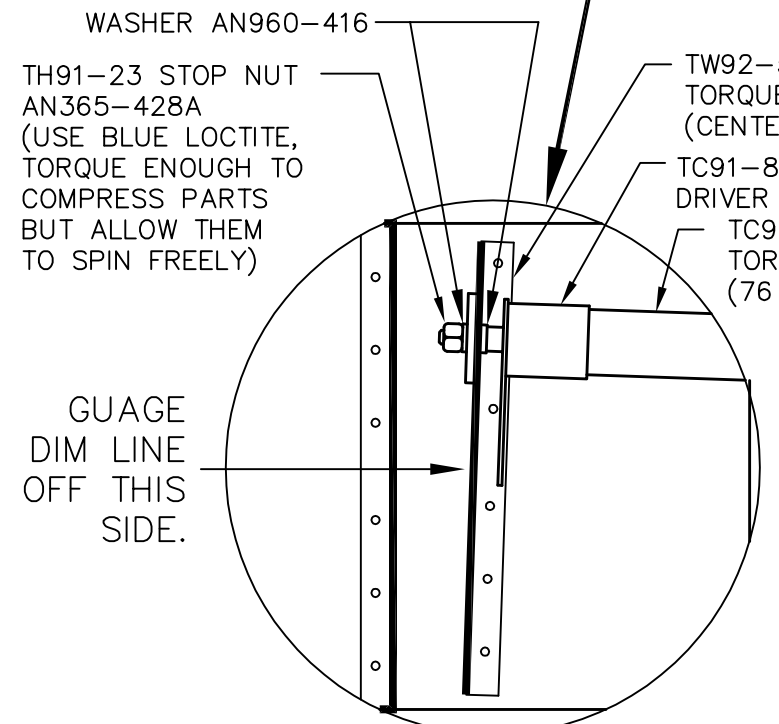
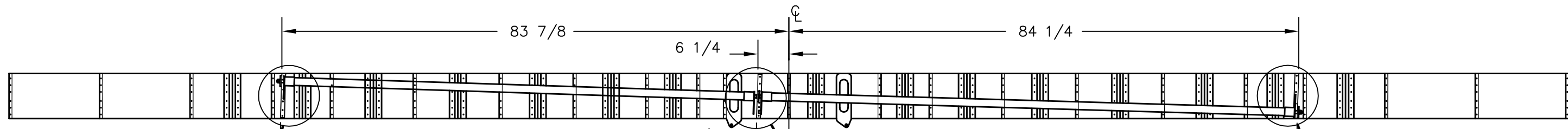
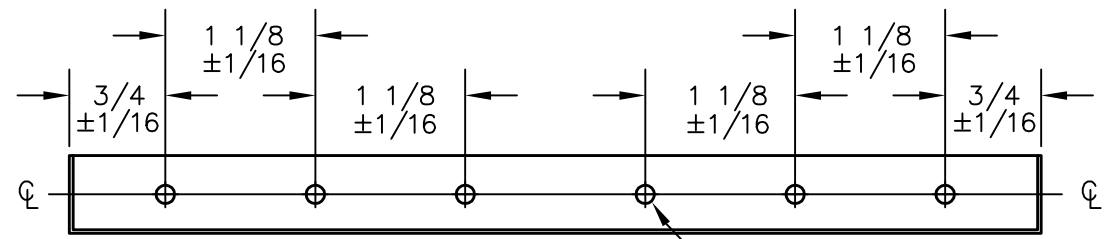


THIS DOCUMENT PROPRIETARY TO TITAN AIRCRAFT, AND IS NOT TO BE USED, REPRODUCED, COPIED, OR DISCLOSED IN ANY MANNER WITHOUT PRIOR WRITTEN PERMISSION OF AN AUTHORIZED OFFICIAL OF TITAN AIRCRAFT.

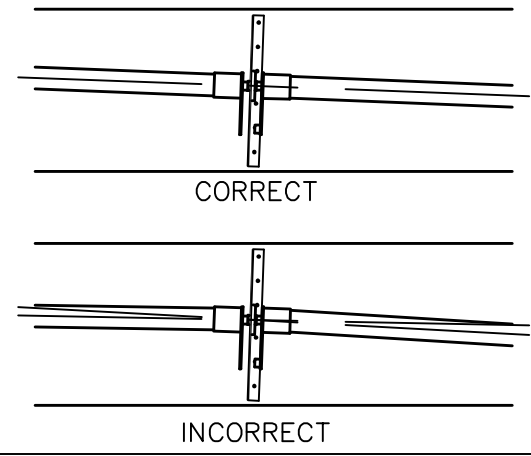


NOTE:  
 AFTER AILERON DRIVERS HAVE BEEN CORRECTLY ALIGNED, DRILL (8) #30 DRILL (.1285 DIA) HOLES, USE EXISTING HOLES IN AILERON DRIVERS AS A GUIDE. RIVET WITH SD43BS RIVETS. (1/8 DIA X 21/64 LONG)



MOUNTING HOLE NOTES:  
 - RIVET TWO OUTER HOLES WITH SD48BS RIVETS. (1/8 DIA X 41/64 LONG)  
 - RIVET FOUR INNER HOLES WITH SD42BS RIVETS. (1/8 DIA X 13/64 LONG)

MOUNTING HOLE DETAILS FOR TORQUE TUBE SUPPORTS



SIGHT DOWN TORQUE TUBES TO INSURE THEY FORM A STRAIGHT LINE. ADJUST CENTER SUPPORT IF NECESSARY.

**\*WARNING\***  
 DO NOT DRILL ANY UNSPECIFIED HOLES IN THE SPAR.

DRAWN J. PRESTON	DATE 12/10/92
CHECKED R. INGLE	DATE 12/14/01
APPROVED G. TRUEX	DATE 12/14/01

<b>TITAN AIRCRAFT SUPPLY</b>	
1419 STATE ROUTE 45 SOUTH AUSTINBURG, OHIO 44010	
DETAIL NAME	AILERON CONTROL SYSTEM LAYOUT
SCALE	PART NO.
ASSEMBLY NAME	23 1/2 FOOT WING
PART NO.	DRAWING NO.
DRAWING NO.	<b>B 92-INS-0325-D</b>