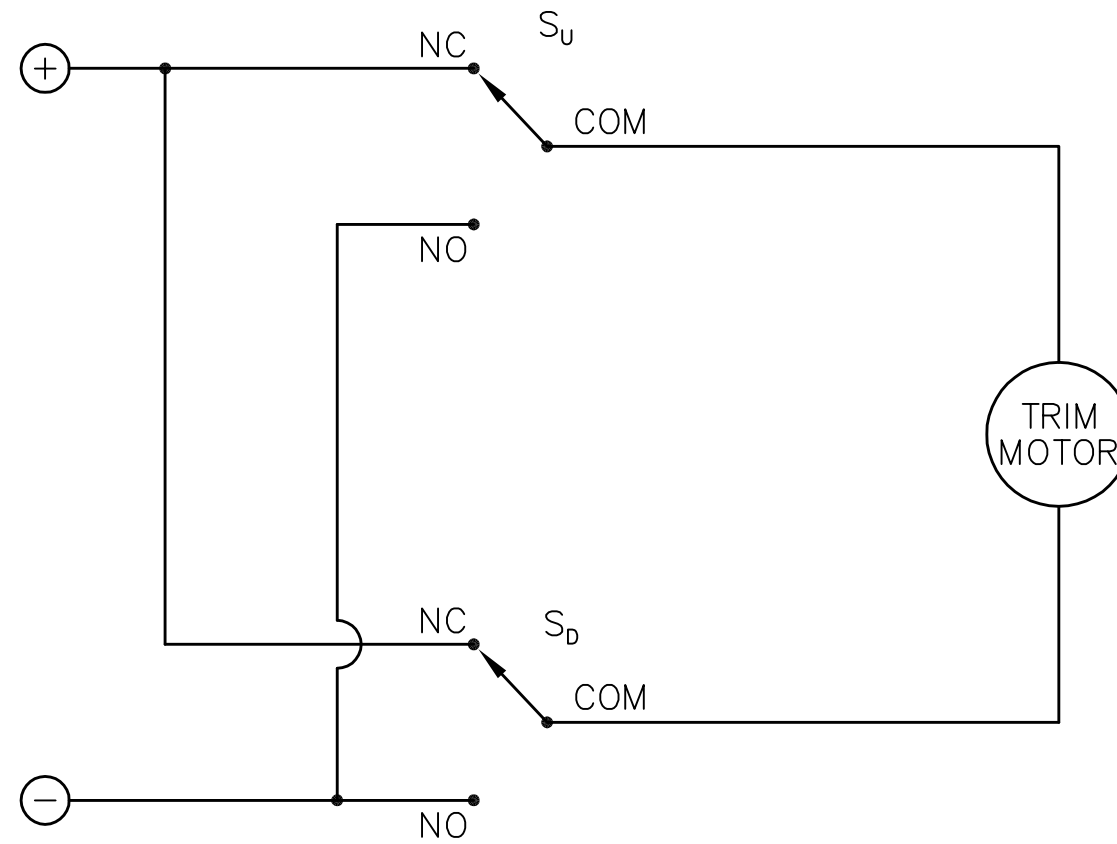


THIS DOCUMENT PROPRIETARY TO TITAN AIRCRAFT, AND IS NOT TO BE USED, CIRCULATED, REPRODUCED, COPIED, OR DISCLOSED IN ANY MANNER WITHOUT PRIOR WRITTEN PERMISSION OF AN AUTHORIZED OFFICIAL OF TITAN AIRCRAFT.

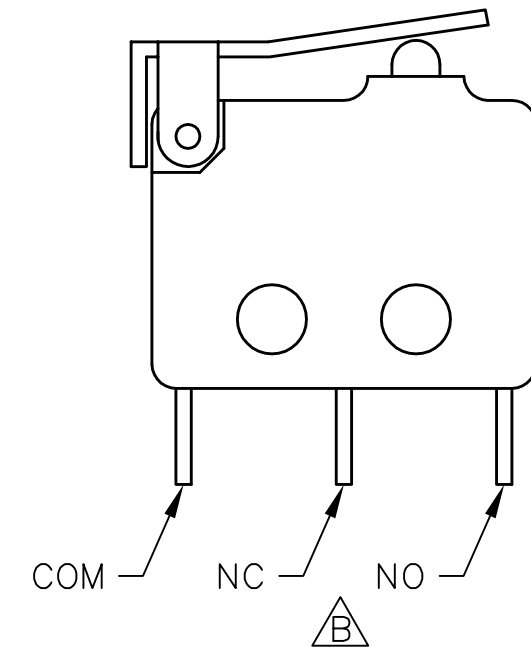
REVISIONS				
E.C. NO.	REV.	DESCRIPTION	BY	DATE
	A	RELEASED DRAWING	CE	2/05
0135	B	CORRECTED SWITCH TERMINALS	CE	3/05



**NOTE:**

SWITCH DESIGNATORS

- S<sub>u</sub> - HAT SWITCH UP
- S<sub>d</sub> - HAT SWITCH DOWN
- NO - NORMALLY OPEN
- NC - NORMALLY CLOSED




**TITAN AIRCRAFT SUPPLY**  
 1419 STATE ROUTE 45 SOUTH  
 AUSTINBURG, OHIO 44010

DRAWN C. EMERY	DATE 2/1/05
CHECKED	DATE
APPROVED	DATE

DETAIL NAME		TRIM ADJUSTMENT FRONT STICK	
SCALE	N/A	PART NO.	
ASSEMBLY NAME			
PART NO.		DRAWING NO. E7	
DRAWING NO. <b>B T51-05-INS-1132-B</b>			