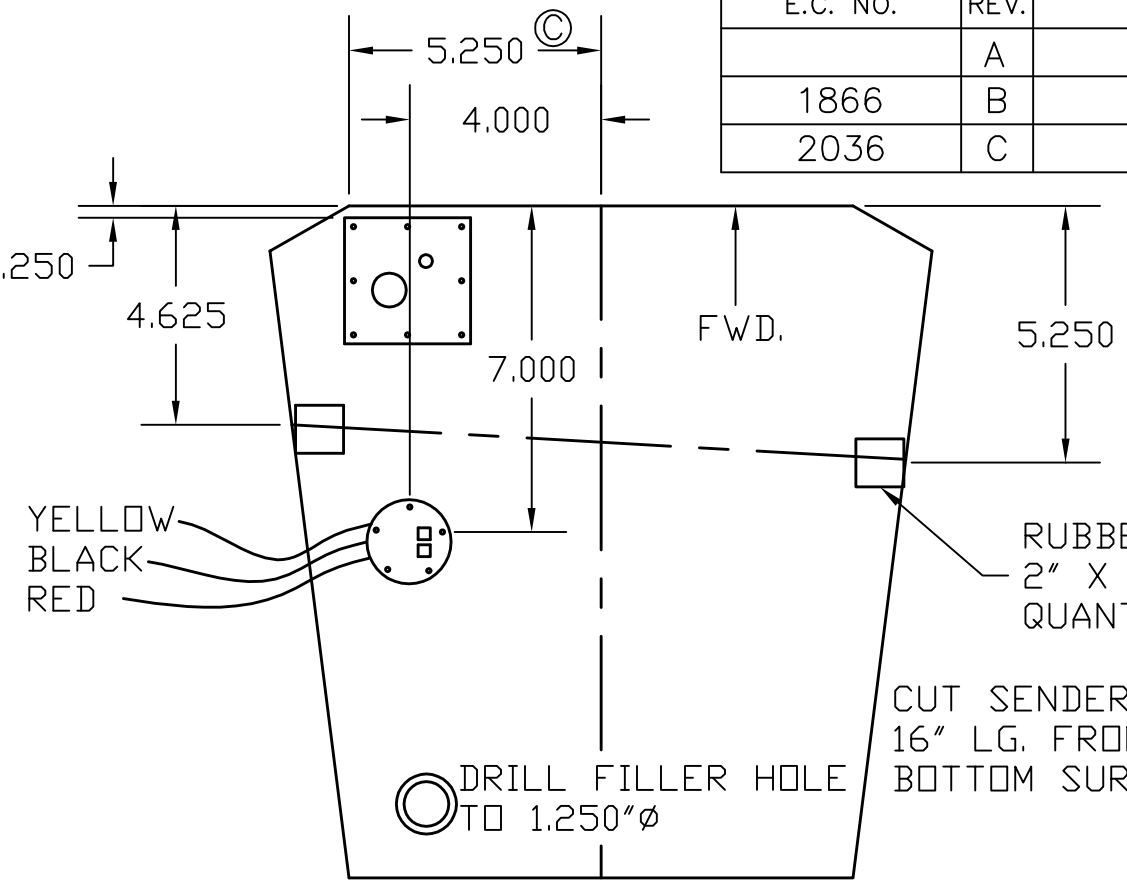
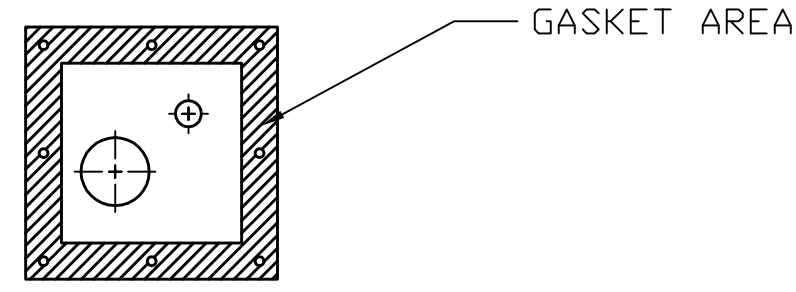


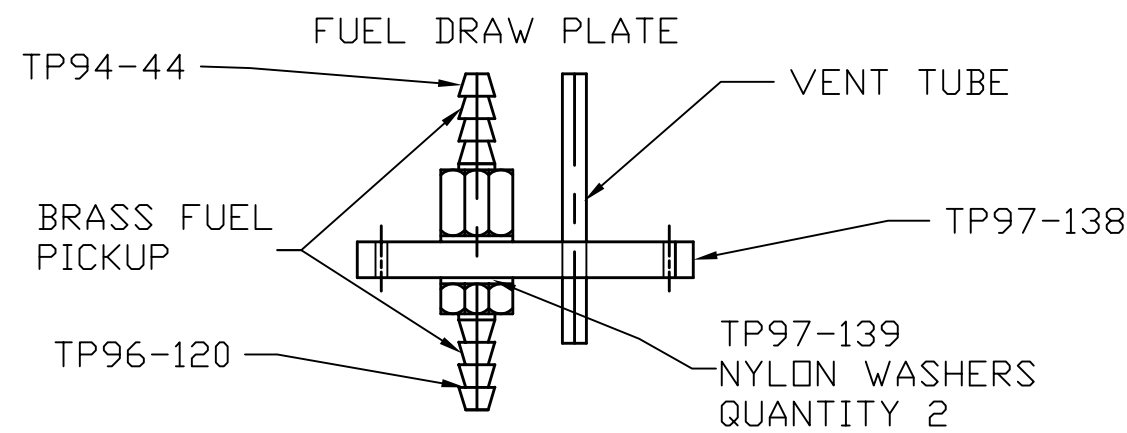
REVISIONS				
E.C. NO.	REV.	DESCRIPTION	BY	DATE
	A	DRAWING RELEASE	KH	5/00
1866	B	WAS A DT DRAWING	KL	3/01
2036	C	DIMENSIONED WRONG	KL	11/01



15 GALLON TANK
TOP VIEW

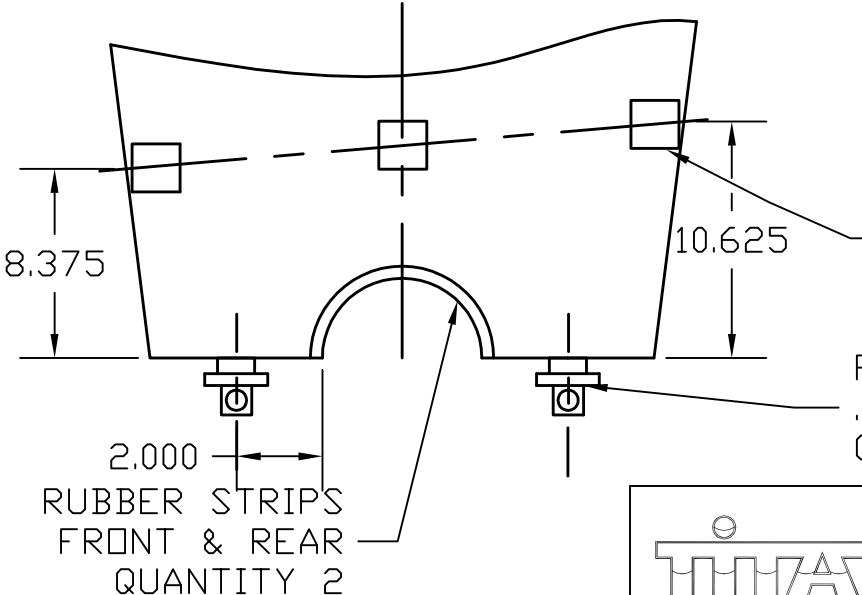


GASKET AREA



NOTES:

- DRILL 5/8" DIA. HOLE FOR FUEL SENDER
- DRILL 1" DIA. HOLE FOR FUEL PICKUP
- DRILL 3/8" DIA. HOLE FOR FUEL VENT
- DRILL (8) #39 FOR DRAW PLATE
- DRILL (5) #30 FOR SENDER MOUNTING



RUBBER PADS
2" X 2"
QUANTITY 3

FUEL GROMMET & ELBOW DRILL
.500Ø HOLES DEBURR INSIDE & OUT
QUANTITY 2

TITAN AIRCRAFT SUPPLY
1419 STATE ROUTE 45 SOUTH
AUSTINBURG, OHIO 44010

MATERIAL		DETAIL NAME	
DRAWN K. HODGKINSON		15 GALLON FUEL TANK	
DATE 5/17/00		SCALE	PART NO. N/A
CHECKED R. INGLE		ASSEMBLY NAME EXTENDED RANGE SYSTEM	
DATE 12/1/01		PART NO. N/A	DRAWING NO.
APPROVED G. TRUEX		DRAWING NO. B 00-INS-1069-C	
DATE 12/1/01			

THIS DOCUMENT PROPRIETARY TO TITAN AIRCRAFT, AND IS NOT TO BE USED, CIRCULATED, REPRODUCED, COPIED, OR DISCLOSED IN ANY MANNER WITHOUT PRIOR WRITTEN PERMISSION OF AN AUTHORIZED OFFICIAL OF TITAN AIRCRAFT.