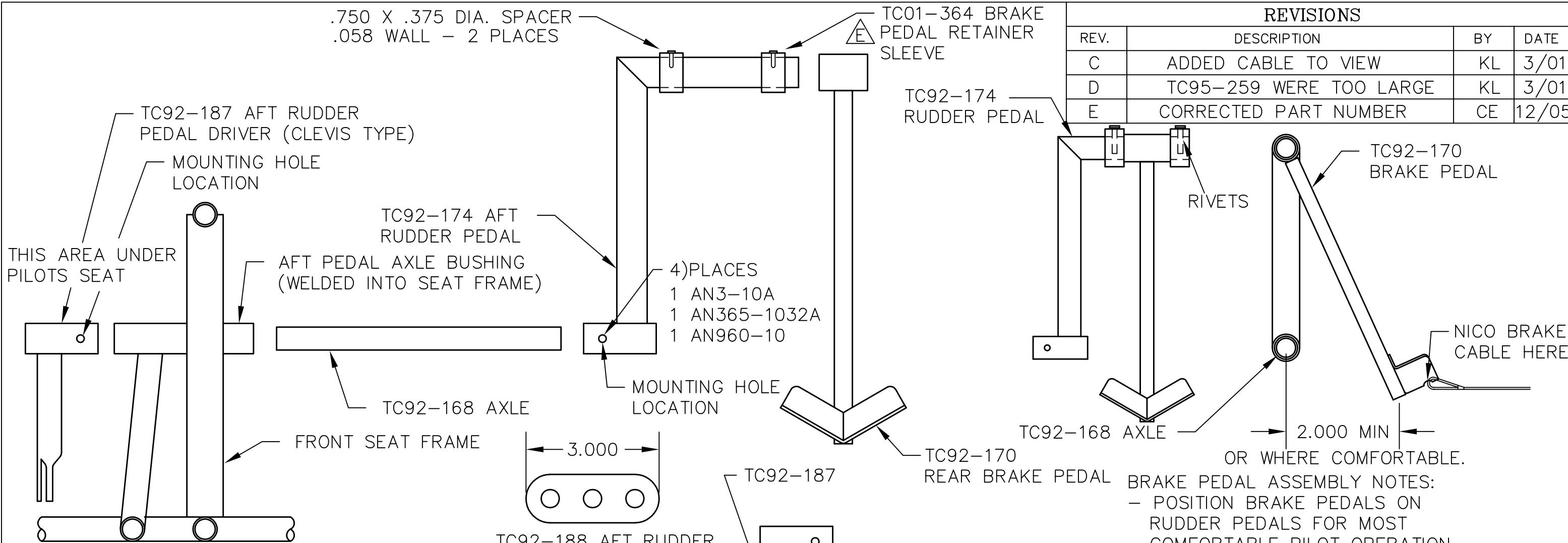


THIS DOCUMENT PROPRIETARY TO TITAN AIRCRAFT, AND IS NOT TO BE USED, CIRCULATED, REPRODUCED, COPIED, OR DISCLOSED IN ANY MANNER WITHOUT PRIOR WRITTEN PERMISSION OF AN AUTHORIZED OFFICIAL OF TITAN AIRCRAFT.



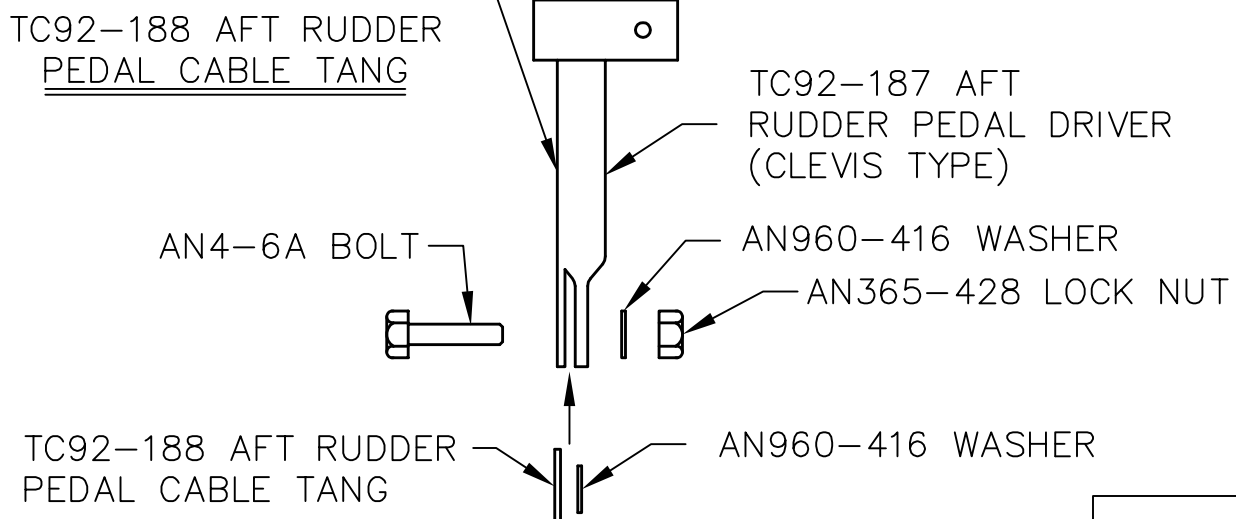
REVISIONS			
REV.	DESCRIPTION	BY	DATE
C	ADDED CABLE TO VIEW	KL	3/01
D	TC95-259 WERE TOO LARGE	KL	3/01
E	CORRECTED PART NUMBER	CE	12/05

**AFT RUDDER PEDAL ASSEMBLY PROCEDURES:**

- SLIDE AXLE INTO THE AFT PEDAL AXLE BUSHING.
- SLIDE AFT RUDDER PEDAL DRIVER AND RUDDER PEDAL ONTO THE AXLE.
- AFT RUDDER PEDAL DRIVER AND RUDDER PEDAL SHOULD BE IN A VERTICAL POSITION.
- COMPRESS RUDDER PEDAL AND AFT RUDDER PEDAL DRIVER BUT STILL ALLOWING THEM TO MOVE FREELY.
- DRILL 3/16 DIA HOLE THRU THE DRIVER AND AXLE AND THRU THE PEDAL AND AXLE. THESE HOLES MUST BE DRILLED HORIZONTALLY TO ENSURE THE BOLTS WILL CLEAR THE SEAT.
- BOLT TOGETHER WITH AN3-10A BOLTS, AN365-1032A NUTS AND AN960-10 WASHERS.

**BRAKE PEDAL ASSEMBLY NOTES:**

- POSITION BRAKE PEDALS ON RUDDER PEDALS FOR MOST COMFORTABLE PILOT OPERATION AND ADEQUATE CLEARANCE OF FUSELAGE AND RUDDER PEDAL.
- TO HOLD BRAKE PEDALS IN POSITION, SANDWICH THEM BETWEEN TWO TC95-259 BRAKE PEDEL RETAINER SLEEVES AND SB42BS RIVETS. (1/8 DIA X 17/64 LONG)
- DRILL RIVET HOLES WITH #30 DRILL (.1285 DIA).



BOLTING AFT RUDDER PEDAL CABLE TANG TO AFT RUDDER PEDAL DRIVER

**TITAN AIRCRAFT SUPPLY**  
 1419 STATE ROUTE 45 SOUTH  
 AUSTINBURG, OHIO 44010

DETAIL NAME AFT BRAKE AND RUDDER PEDAL ASSEMBLY			
DRAWN J. PRESTON	DATE 1/6/93	SCALE N/A	PART NO. N/A
CHECKED GAT	DATE 12/20/05	ASSEMBLY NAME TWO PLACE TORNADO	
APPROVED JW	DATE 12/22/05	PART NO. N/A	DRAWING NO.
		DRAWING NO. <b>B</b>	<b>92-INS-0273-E</b>