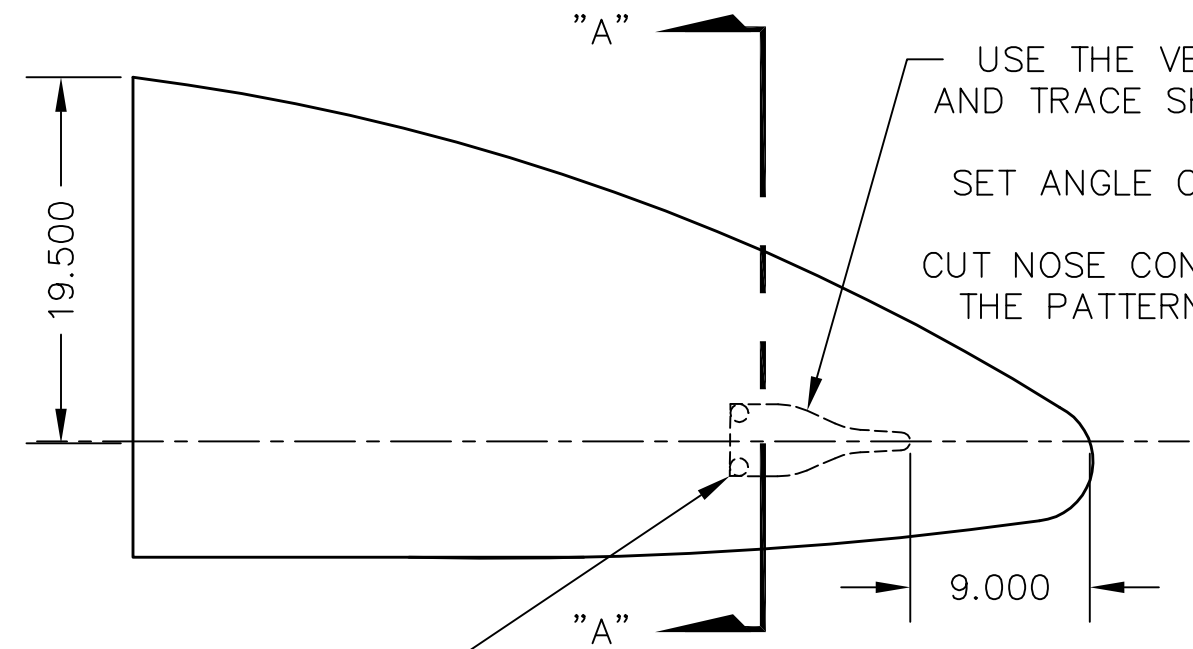


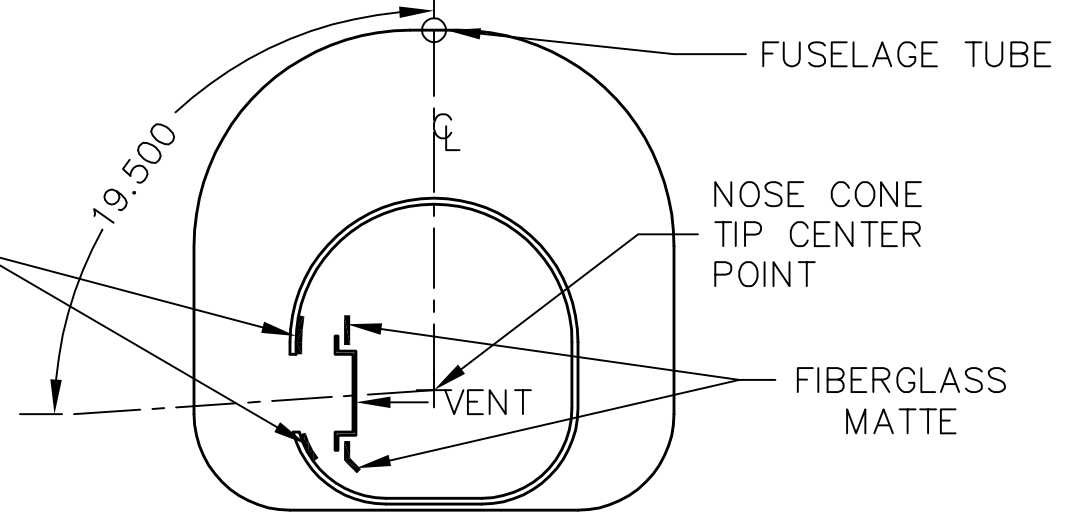
REVISIONS

E.C. NO.	REV.	DESCRIPTION	BY	DATE
	B	ADDED ALTERNATE MOUNTING	KB	3/96
1812	C	ADDED 19.500 DIMENSIONS	KL	2/01



USE THE VENT AS A PATTERN AND TRACE SHAPE ON NOSE CONE
 SET ANGLE OF VENT AS DESIRED
 CUT NOSE CONE FIBERGLASS ALONG THE PATTERN LINE AND REMOVE

APPLY FIBERGLASS RESIN TO INSIDE OF NOSE CONE, AROUND THE TOP, BOTTOM AND END OF CUTOUT

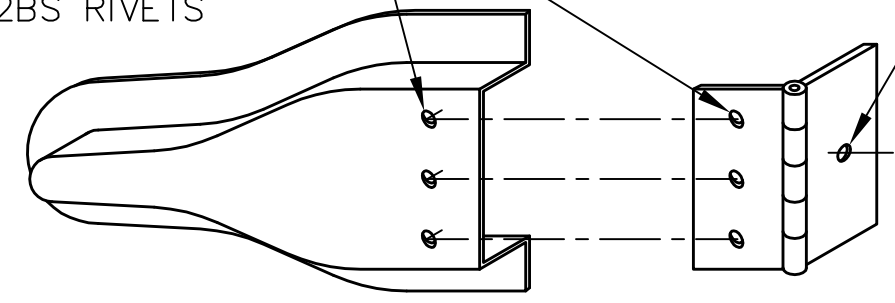


SECTION "A-A"

1/4" DIA. DRILL THRU, 2 PLACES, TO ALLOW SAW STARTING POINT

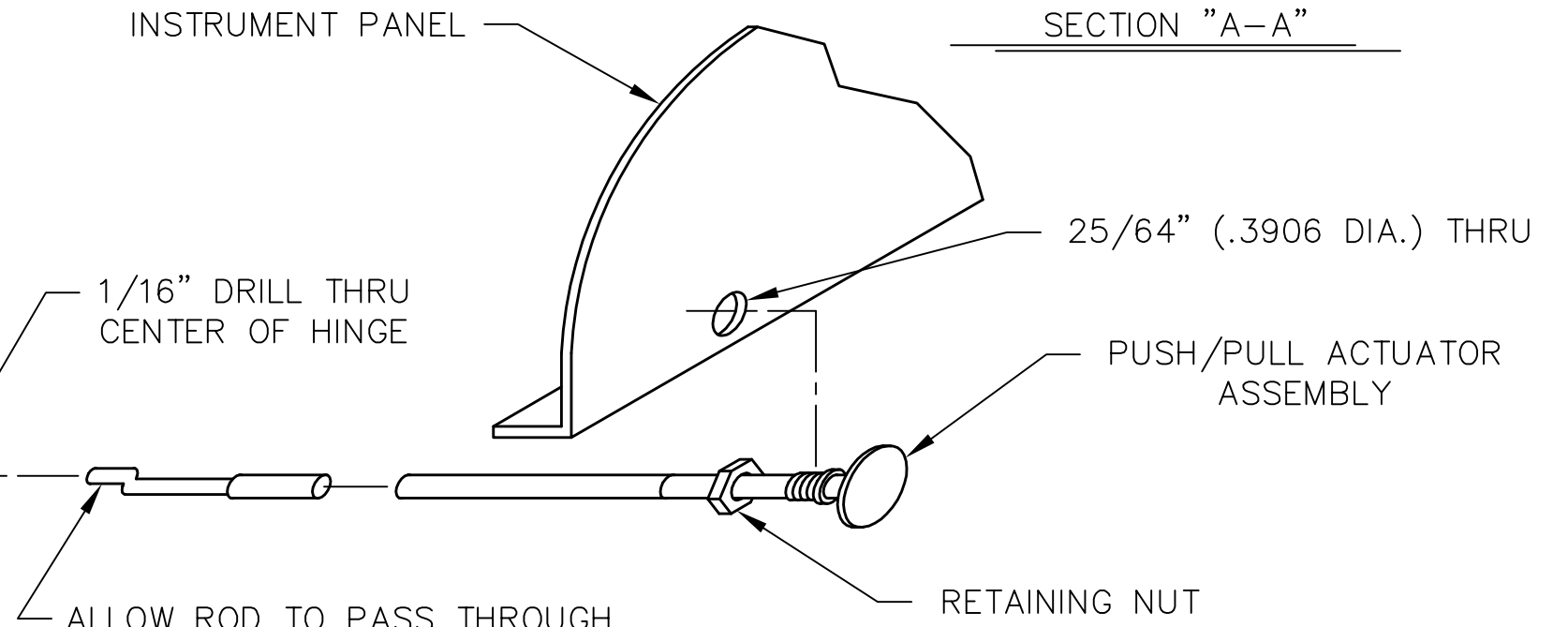
USE A STRING TO DETERMINE A STRAIGHT LINE FROM THE NOSE TIP TO THE 19.500 DIMENSION.

#30 DRILL (.1285 DIA.) THRU, 3 PLACES, BOTH THE HINGE AND THE VENT
 USE AD42BS RIVETS



1/16" DRILL THRU CENTER OF HINGE

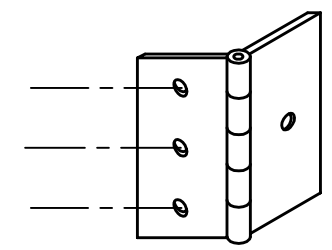
ALLOW ROD TO PASS THROUGH HOLE, AND BEND TO CATCH HINGE PLATE



ALTERNATE MOUNTING SYSTEM

ALUMINUM TAB TRIMMED TO FIT VENT OPENING

P/N TH92-42 CABLE SWIVEL



USE WEATHER STRIPPING TO SEAL ANY GAPS IN EITHER MOUNTING METHOD

TITAN AIRCRAFT SUPPLY
 1419 STATE ROUTE 45 SOUTH
 AUSTINBURG, OHIO 44010

DRAWN	J. SUTCH	DATE	8/16/93
CHECKED	R. INGLE	DATE	2/15/01
APPROVED	J. WILLIAMS	DATE	2/21/01

DETAIL NAME	NOSE CONE VENT INSTALLATION		
SCALE	N/A	PART NO.	N/A
ASSEMBLY NAME	FUSELAGE NOSE CONE ASSEMBLY		
PART NO.	N/A	DRAWING NO.	
DRAWING NO.	B 93-INS-0418-C		

THIS DOCUMENT PROPRIETARY TO TITAN AIRCRAFT, AND IS NOT TO BE USED, CIRCULATED, REPRODUCED, COPIED, OR DISCLOSED IN ANY MANNER WITHOUT PRIOR WRITTEN PERMISSION OF AN AUTHORIZED OFFICIAL OF TITAN AIRCRAFT.