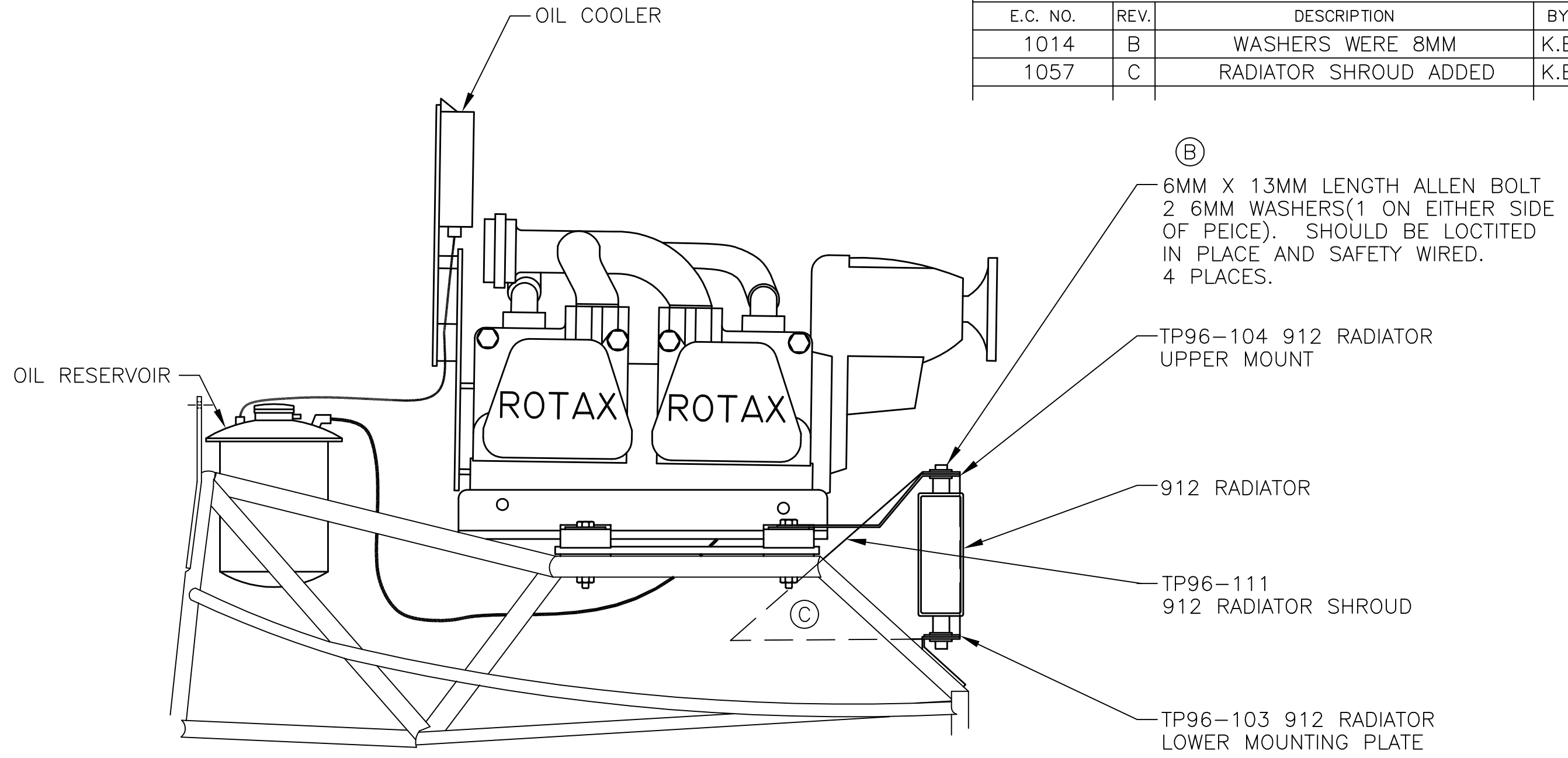


REVISIONS

E.C. NO.	REV.	DESCRIPTION	BY	DATE
1014	B	WASHERS WERE 8MM	K.B.	10/96
1057	C	RADIATOR SHROUD ADDED	K.B.	1/97



NOTES FOR SHROUD:  
GUIDE HOLES MUST BE ENLARGED TO .375 FOR BERRY MOUNTS AND 2 .375 HOLES MUST BE DRILLED IN THE UPPER TABS DURING PREFIT.

**TITAN AIRCRAFT SUPPLY**  
1419 STATE ROUTE 45 SOUTH  
AUSTINBURG, OHIO 44010

DRAWN	K. BOHRER	DATE	9/26/96
CHECKED	B. PASSAFIUME	DATE	4/21/97
APPROVED	J. SUTCH	DATE	6/20/97

DETAIL NAME	
SCALE N/A	PART NO.
ASSEMBLY NAME 912 RADIATOR INSTALLATION	
PART NO.	DRAWING NO.
DRAWING NO. <b>B 96-INS-0744-C</b>	

THIS DOCUMENT PROPRIETARY TO TITAN AIRCRAFT. AND IS NOT TO BE USED, CIRCULATED, REPRODUCED, COPIED, OR DISCLOSED IN ANY MANNER WITHOUT PRIOR WRITTEN PERMISSION OF AN AUTHORIZED OFFICIAL OF TITAN AIRCRAFT.