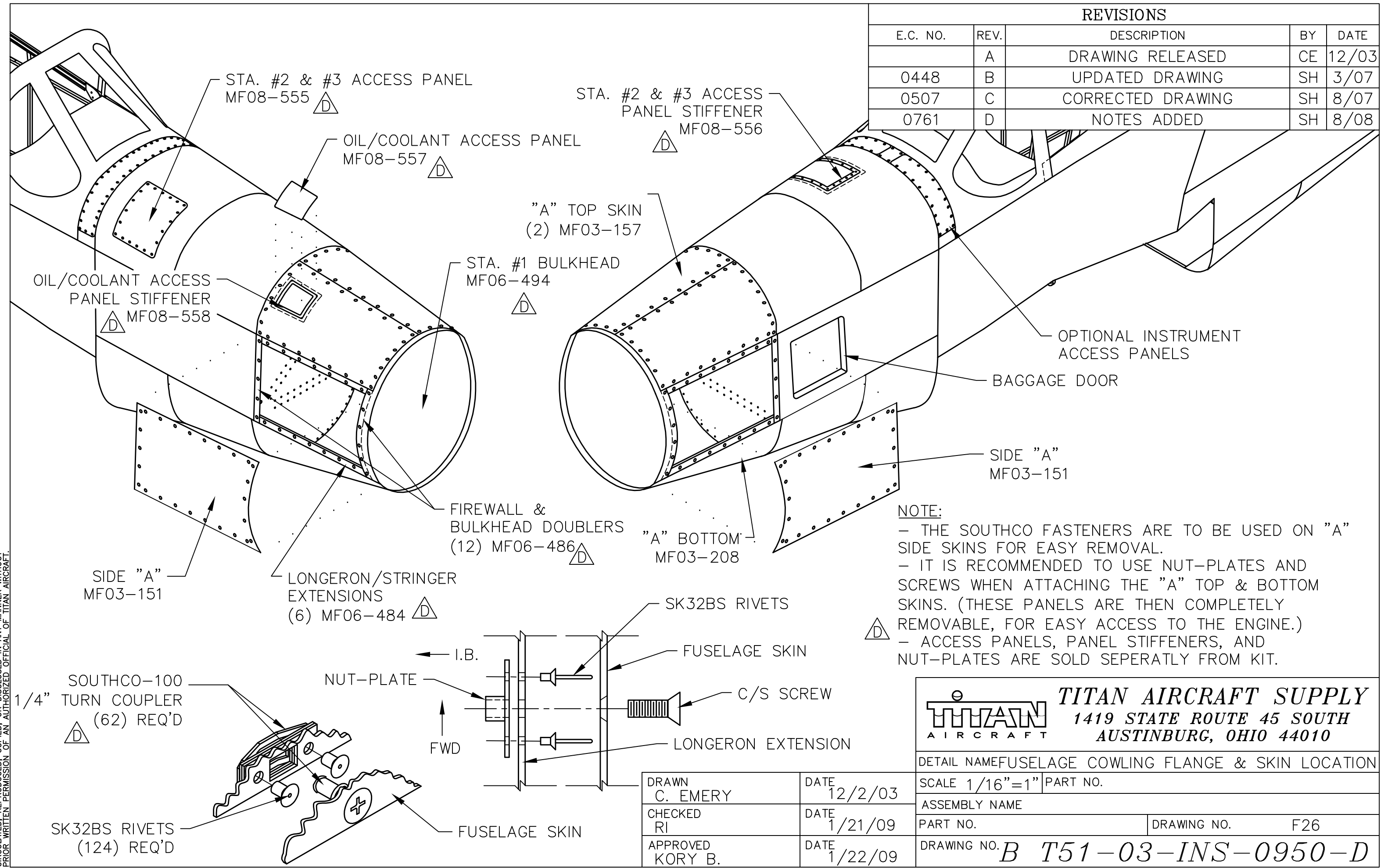


REVISIONS				
E.C. NO.	REV.	DESCRIPTION	BY	DATE
	A	DRAWING RELEASED	CE	12/03
0448	B	UPDATED DRAWING	SH	3/07
0507	C	CORRECTED DRAWING	SH	8/07
0761	D	NOTES ADDED	SH	8/08



**NOTE:**  
 - THE SOUTHCO FASTENERS ARE TO BE USED ON "A" SIDE SKINS FOR EASY REMOVAL.  
 - IT IS RECOMMENDED TO USE NUT-PLATES AND SCREWS WHEN ATTACHING THE "A" TOP & BOTTOM SKINS. (THESE PANELS ARE THEN COMPLETELY REMOVABLE, FOR EASY ACCESS TO THE ENGINE.)  
 - ACCESS PANELS, PANEL STIFFENERS, AND NUT-PLATES ARE SOLD SEPERATLY FROM KIT.

**TITAN AIRCRAFT SUPPLY**  
 1419 STATE ROUTE 45 SOUTH  
 AUSTINBURG, OHIO 44010

DETAIL NAME FUSELAGE COWLING FLANGE & SKIN LOCATION	
SCALE 1/16"=1"	PART NO.
ASSEMBLY NAME	
PART NO.	DRAWING NO. F26
DRAWING NO. <b>B T51-03-INS-0950-D</b>	

DRAWN C. EMERY	DATE 12/2/03
CHECKED RI	DATE 1/21/09
APPROVED KORY B.	DATE 1/22/09

THIS DOCUMENT PROPRIETARY TO TITAN AIRCRAFT, AND IS NOT TO BE USED, CIRCULATED, REPRODUCED, COPIED, OR DISCLOSED IN ANY MANNER WITHOUT PRIOR WRITTEN PERMISSION OF AN AUTHORIZED OFFICIAL OF TITAN AIRCRAFT.