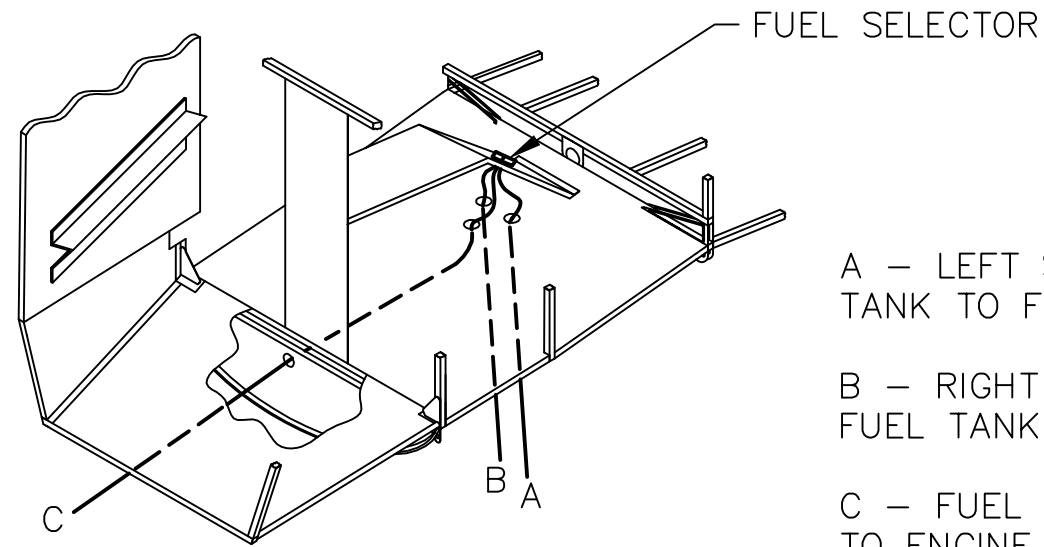


REVISIONS

E.C. NO.	REV.	DESCRIPTION	BY	DATE
	A	DRAWING RELEASED	CE	01/04



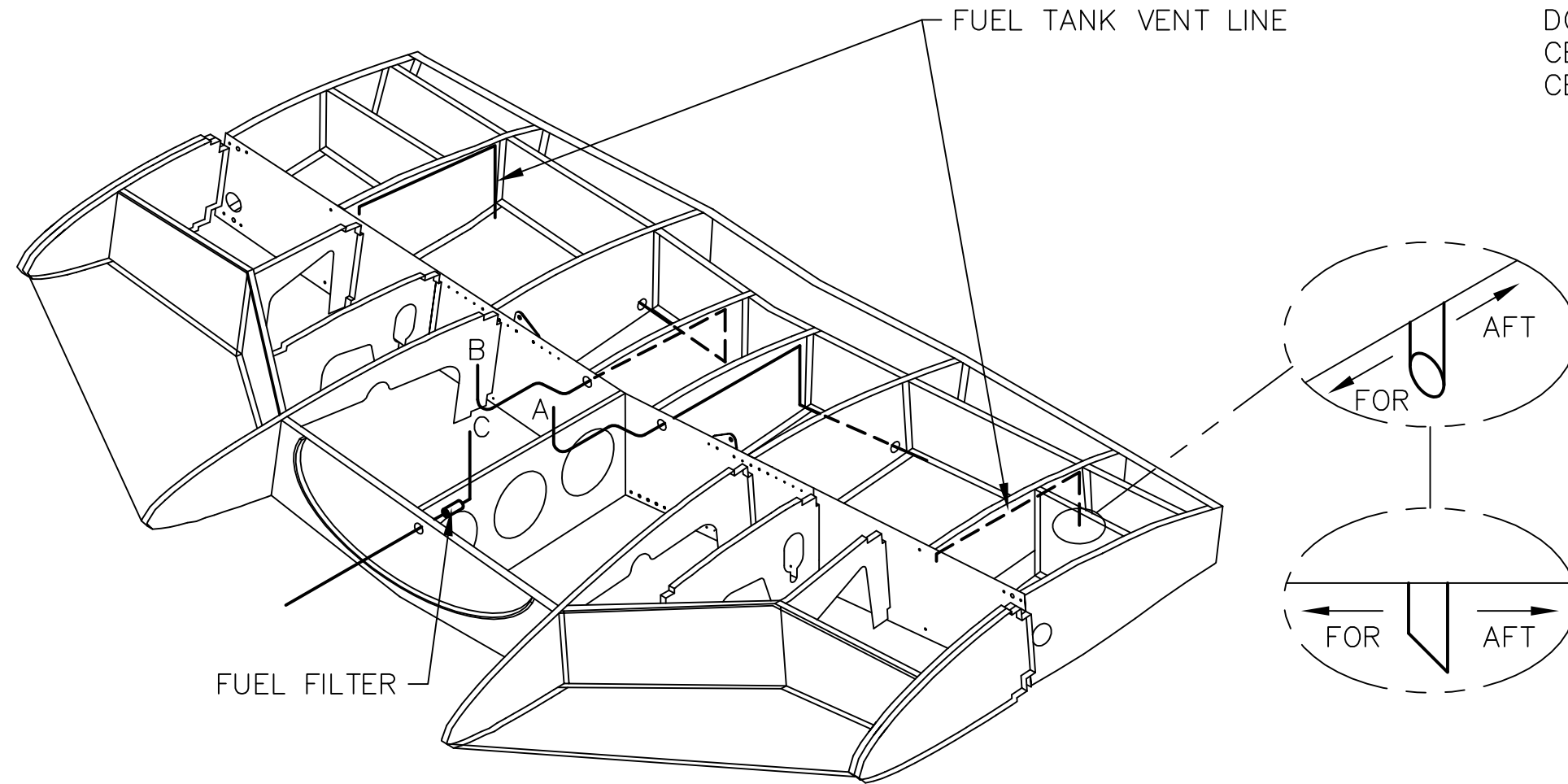
A - LEFT SIDE FUEL LINE FROM FUEL TANK TO FUEL SELECTOR.

B - RIGHT SIDE FUEL LINE FROM FUEL TANK TO FUEL SELECTOR.

C - FUEL LINE FROM FUEL SELECTOR TO ENGINE.

NOTES:

- FUEL VENT LINES ARE PLACED IN THE TOP OUTBOARD, FORWARD CORNER OF EACH FUEL TANK.
- WHERE THE FUEL TANK VENT LINES EXIT THE BOTTOM SKIN OF CENTER SECTION, CUT THE LINES ON AN ANGLE AS SHOWN IN ILLUSTRATION.
- HOLES WILL NEED TO BE DRILLED FOR FUEL VENT LINES TO COME THROUGH THE BOTTOM OF THE CENTER SECTION SKIN.
- RUN FUEL LINES FROM LEFT AND RIGHT FUEL TANKS UP THROUGH THE COCKPIT FLOOR INTO THE FUEL SELECTOR.
- FROM THE FUEL SELECTOR, RUN A SINGLE FUEL LINE DOWN THROUGH THE COCKPIT FLOOR AND TOP SKIN OF THE CENTER SECTION, THEN THROUGH THE FRONT OF THE CENTER SECTION PROCEEDING FORWARD TO ENGINE.



FUEL FILTER

FUEL TANK VENT LINE

TITAN AIRCRAFT SUPPLY
 1419 STATE ROUTE 45 SOUTH
 AUSTINBURG, OHIO 44010

DETAIL NAME FUEL LINE ROUTING INSTRUCTIONAL FOR ROTAX 912

DRAWN C. EMERY	DATE 1/08/04	SCALE 1/16"=1"	PART NO.
CHECKED MH	DATE 3/22/04	ASSEMBLY NAME	
APPROVED GAT	DATE 3/24/04	PART NO.	DRAWING NO.
		DRAWING NO. B T51-04-INS-0995-A	

THIS DOCUMENT PROPRIETARY TO TITAN AIRCRAFT, AND IS NOT TO BE USED, CIRCULATED, REPRODUCED, COPIED, OR DISCLOSED IN ANY MANNER WITHOUT PRIOR WRITTEN PERMISSION OF AN AUTHORIZED OFFICIAL OF TITAN AIRCRAFT.