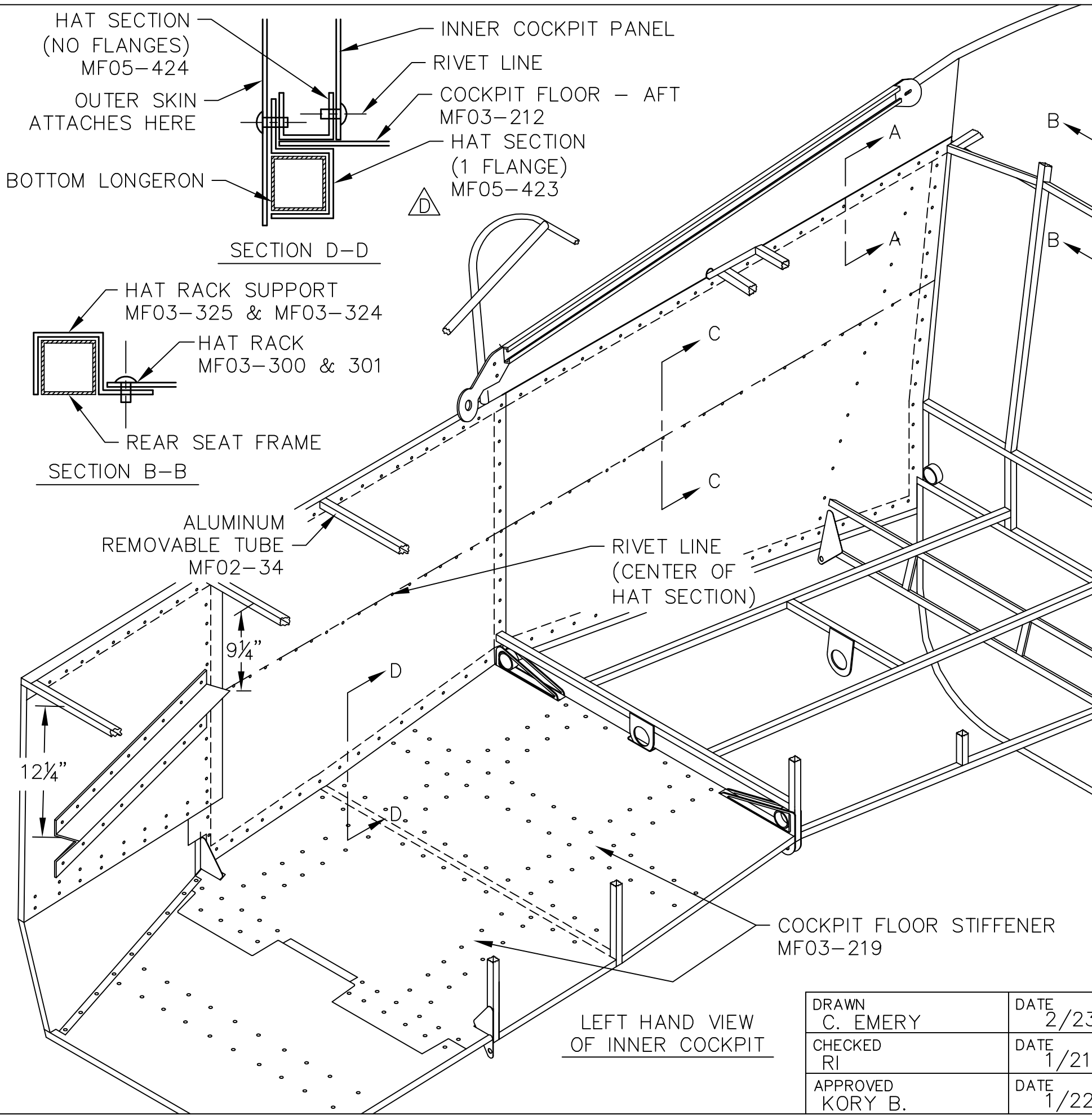
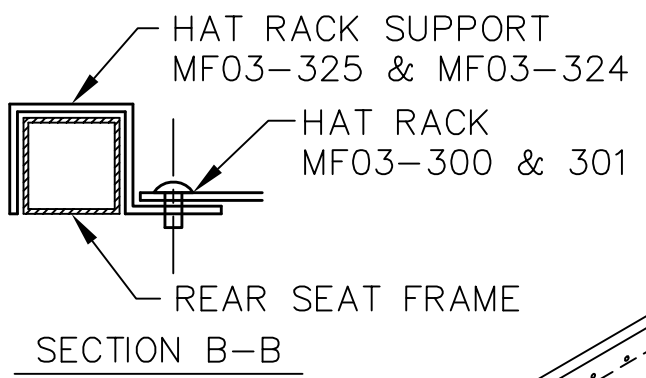


THIS DOCUMENT PROPRIETARY TO TITAN AIRCRAFT, AND IS NOT TO BE USED, CIRCULATED, REPRODUCED, COPIED, OR DISCLOSED IN ANY MANNER WITHOUT PRIOR WRITTEN PERMISSION OF AN AUTHORIZED OFFICIAL OF TITAN AIRCRAFT.

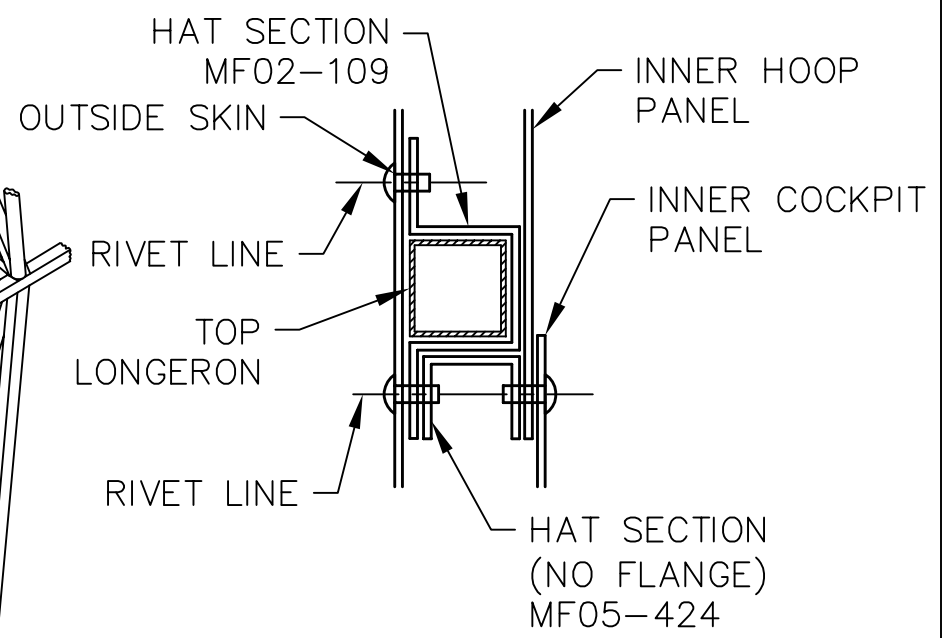


REVISIONS				
E.C. NO.	REV.	DESCRIPTION	BY	DATE
0190	D	CORRECTED SECTION VIEW D-D	SH	2/06
0511	E	CORRECTED SECTION VIEW D-D	SH	8/07
0768	F	UPDATED DRAWING	SH	9/08

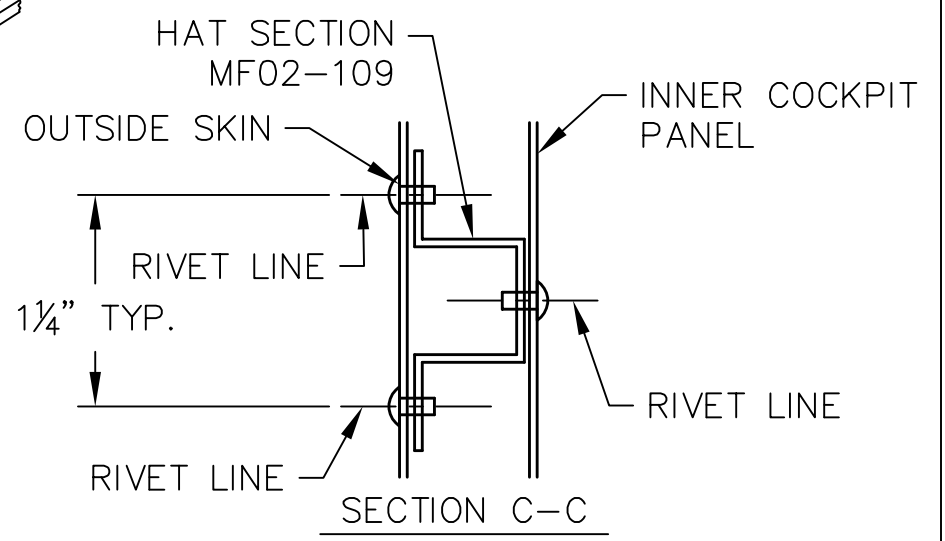
SECTION D-D



SECTION B-B



SECTION A-A



SECTION C-C

TITAN AIRCRAFT SUPPLY
 1419 STATE ROUTE 45 SOUTH
 AUSTINBURG, OHIO 44010

DETAIL NAME INNER COCKPIT PANEL MOUNTING INSTRUCTIONAL	
SCALE 1/8"=1"	PART NO.
ASSEMBLY NAME	
PART NO.	DRAWING NO. F19
DRAWING NO. B T51-04-INS-1052-F	

DRAWN C. EMERY	DATE 2/23/04
CHECKED RI	DATE 1/21/09
APPROVED KORY B.	DATE 1/22/09