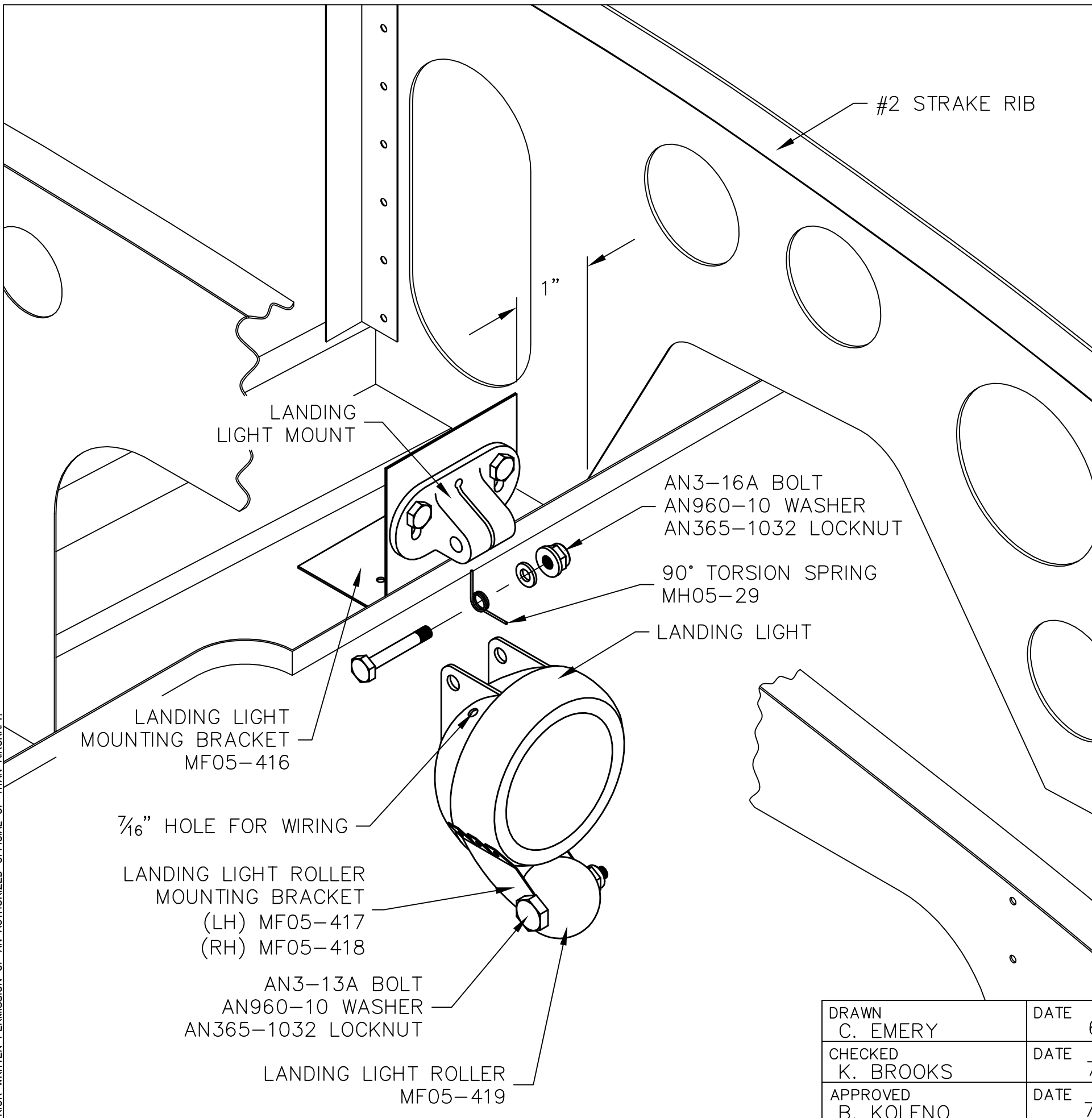


THIS DOCUMENT PROPRIETARY TO TITAN AIRCRAFT, AND IS NOT TO BE USED, CIRCULATED, REPRODUCED, COPIED, OR DISCLOSED IN ANY MANNER WITHOUT PRIOR WRITTEN PERMISSION OF AN AUTHORIZED OFFICIAL OF TITAN AIRCRAFT.



REVISIONS				
E.C. NO.	REV.	DESCRIPTION	BY	DATE
	A	RELEASED DRAWING	CE	6/05
0195	B	ADDED PART NO.	SH	2/06
1094	C	UPDATED DRAWING	BH	9/10

NOTES:

- MEASURE 1" IN FROM THE CENTER SECTION #2 STRAKE RIB TO LOCATE THE PROPER POSITION FOR THE LANDING LIGHT MOUNTING BRACKET (MF05-416).
- ATTACH THE LANDING LIGHT ROLLER MOUNTING BRACKETS (LH MF05-417 & RH MF05-418) TO THE LANDING LIGHT ROLLER (MF05-419) USING THE PROVIDED HARDWARE.
- ONCE THE LANDING LIGHT ROLLER MOUNTING BRACKETS ARE MOUNTED TO THE LANDING LIGHT ROLLER, USE THIS ASSEMBLY AS A TEMPLATE TO MARK THE HOLES NEEDED TO MOUNT IT TO THE LANDING LIGHT.
- DISASSEMBLE THE LANDING LIGHT AND DRILL THE PREVIOUSLY MARKED #30 HOLES.
- REASSEMBLE THE LANDING LIGHT ONCE THE HOLES ARE DRILLED, MAKE SURE THE WIRING IS ROUTED OUT OF THE 7/16" HOLE NEAR THE TOP, AND RIVET THE LANDING LIGHT ROLLER MOUNTING BRACKET ASSEMBLY TO THE LANDING LIGHT.
- BOLT THE LANDING LIGHT MOUNT THAT CAME WITH THE LANDING LIGHT TO THE LANDING LIGHT MOUNTING BRACKET WITH THE PROVIDED HARDWARE.
- WHEN ATTACHING THE LANDING LIGHT TO ITS MOUNT, INSERT THE PROVIDED SPRING IN THE SLOT, SO THAT WHEN ASSEMBLED IT WILL CAUSE THE LIGHT TO SPRING DOWNWARD WHEN THE LANDING GEAR IS IN THE DOWN POSITION (SOME TRIMMING OF THE SPRING LEGS IS REQUIRED FOR CORRECT FITMENT).
- WITH AIRCRAFT ON JACK STANDS, CYCLE THE LANDING GEAR SEVERAL TIMES TO ENSURE THERE IS NO INTERFERENCE.

TITAN AIRCRAFT SUPPLY
 1419 STATE ROUTE 45 SOUTH
 AUSTINBURG, OHIO 44010

DETAIL NAME		LANDING LIGHT MOUNTING INSTRUCTIONAL		
SCALE	1/2"=1"	PART NO.		
ASSEMBLY NAME				
PART NO.		DRAWING NO. LG9		
DRAWING NO.		B T51-05-INS-1153-C		

DRAWN	C. EMERY	DATE	6/8/05
CHECKED	K. BROOKS	DATE	7/11/11
APPROVED	B. KOLENO	DATE	7/19/11

AN3-13A BOLT
 AN960-10 WASHER
 AN365-1032 LOCKNUT

AN3-16A BOLT
 AN960-10 WASHER
 AN365-1032 LOCKNUT

90° TORSION SPRING
 MH05-29

LANDING LIGHT ROLLER
 MF05-419