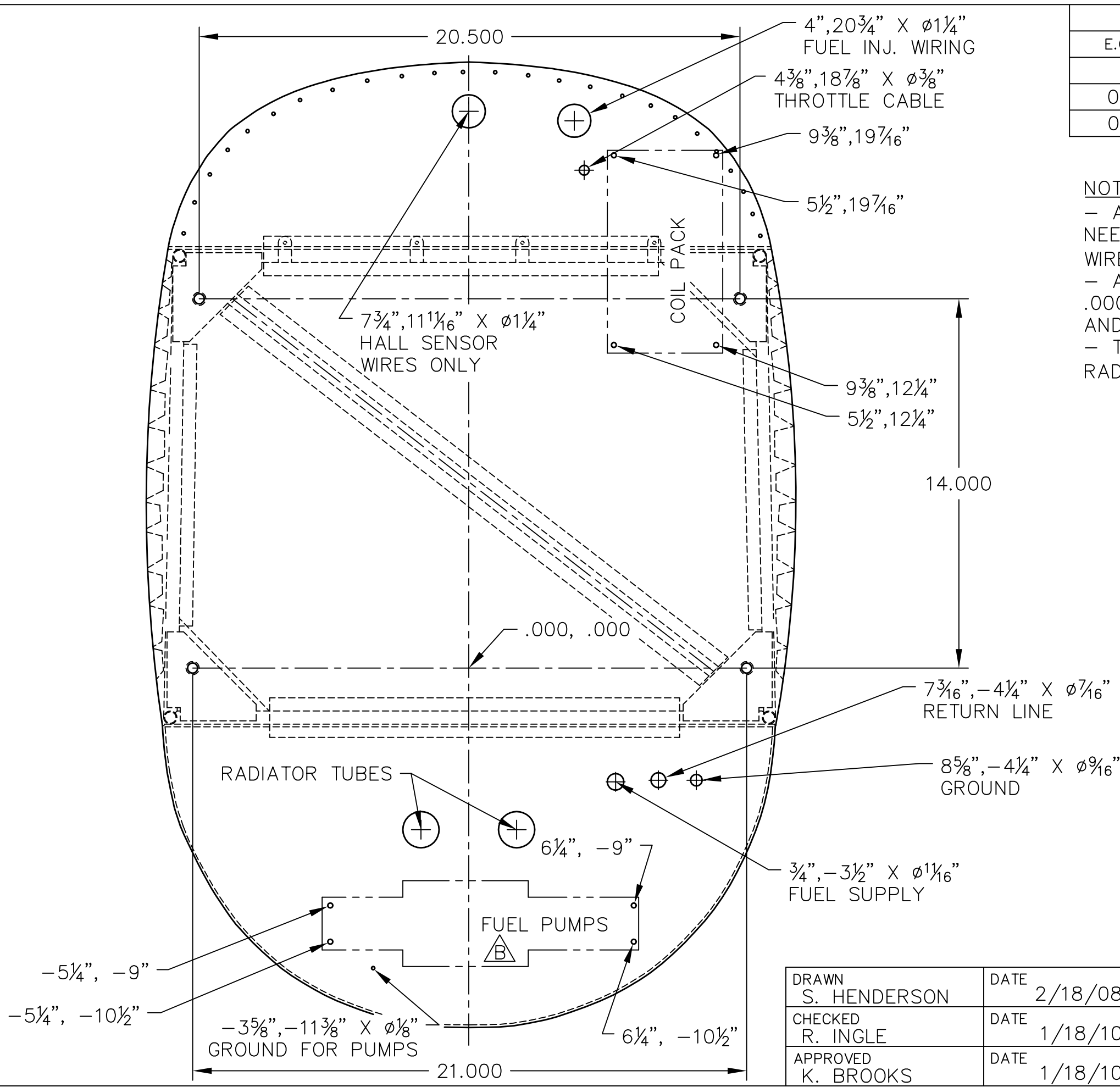



THIS DOCUMENT PROPRIETARY TO TITAN AIRCRAFT, AND IS NOT TO BE USED, CIRCULATED, REPRODUCED, COPIED, OR DISCLOSED IN ANY MANNER WITHOUT PRIOR WRITTEN PERMISSION OF AN AUTHORIZED OFFICIAL OF TITAN AIRCRAFT.



REVISIONS				
E.C. NO.	REV.	DESCRIPTION	BY	DATE
	A	RELEASED DRAWING	SH	2/08
0684	B	FUEL PUMPS MOVED	SH	5/08
0943	C	HOLES MOVED/NO MORE HEADER TANK	SH	4/09

**NOTES:**  
 - ALL HOLES DRILLED FOR ELECTRICAL/FUEL LINES WILL NEED RUBBER GROMMETS TO PREVENT DAMAGE TO WIRES/TUBES.  
 - ALL DIMENSIONS SHOWN ARE TAKEN FROM THE .000, .000 DIM. WHICH IS THE CENTERLINE OF THE AIRCRAFT AND THE LOWER ENGINE MOUNTING HOLES.  
 - THE TWO HOLES WITHOUT DIMENSIONS ARE FOR THE RADIATOR TUBES (REFER TO T51-06-INS-1487.)



**TITAN AIRCRAFT SUPPLY**  
 1419 STATE ROUTE 45 SOUTH  
 AUSTINBURG, OHIO 44010

DETAIL NAME SUZUKI FIREWALL LAYOUT TEMPLATE

SCALE 1/4"=1" PART NO.

ASSEMBLY NAME SUZUKI V6 ONLY

PART NO. DRAWING NO. F9

DRAWING NO. **B T51-08-INS-1711-C**

DRAWN S. HENDERSON	DATE 2/18/08
CHECKED R. INGLE	DATE 1/18/10
APPROVED K. BROOKS	DATE 1/18/10