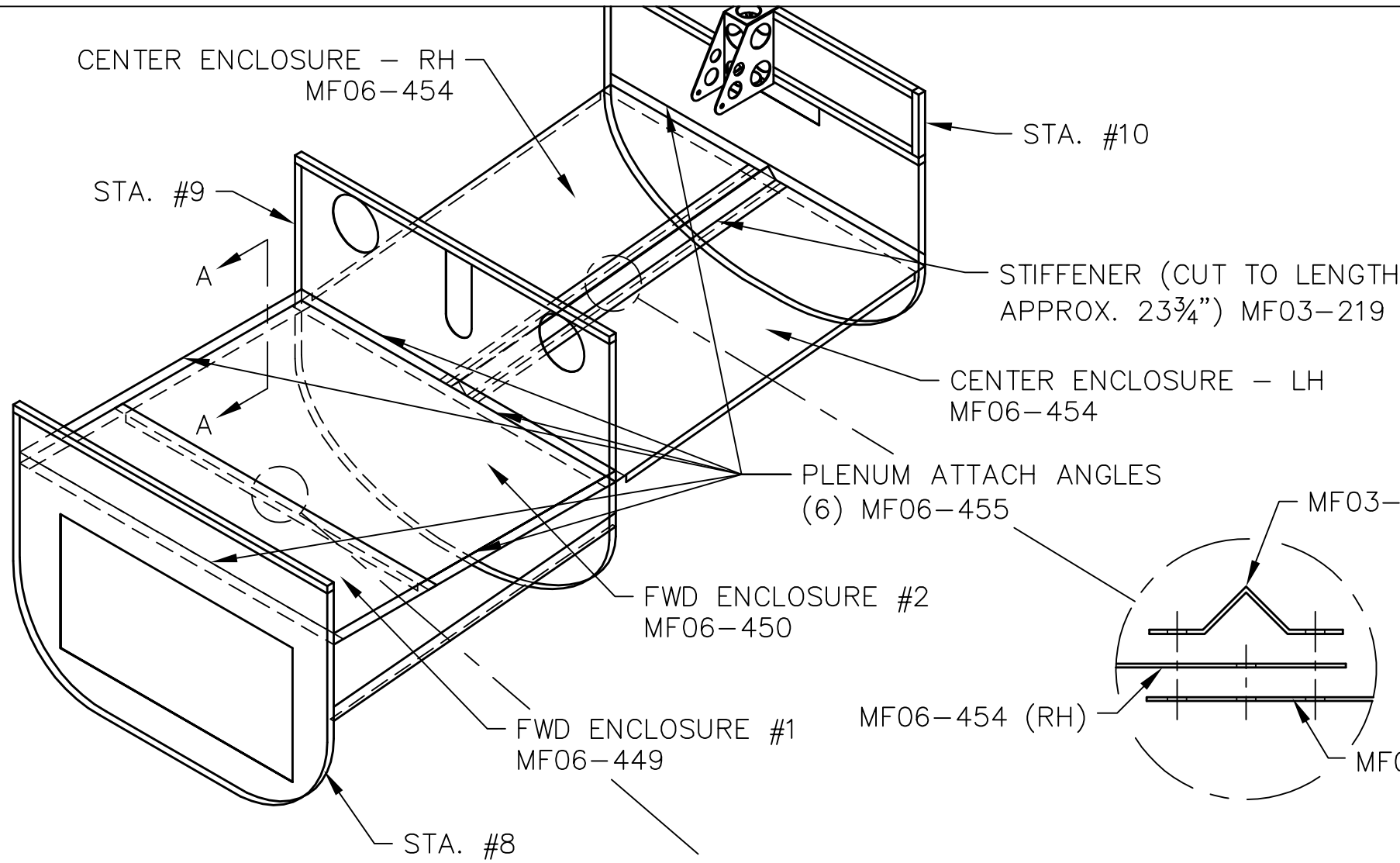
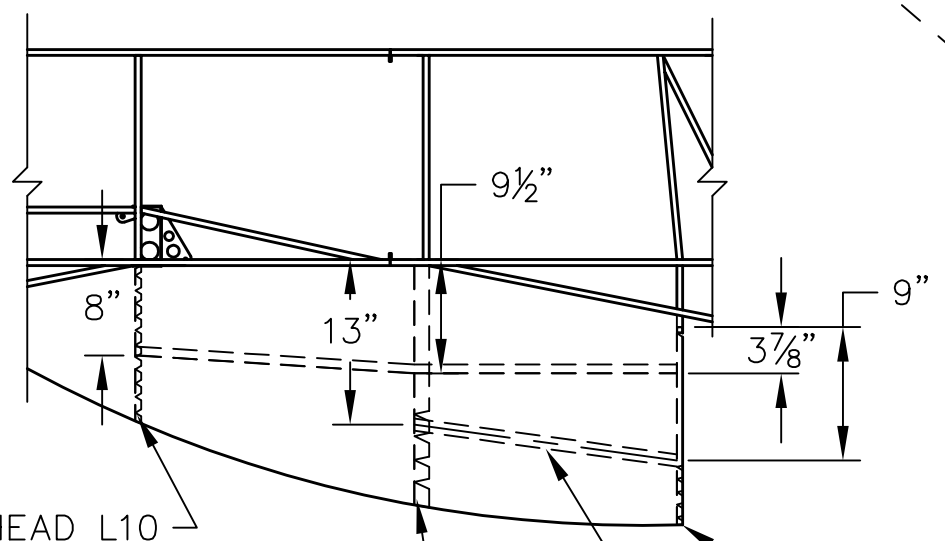
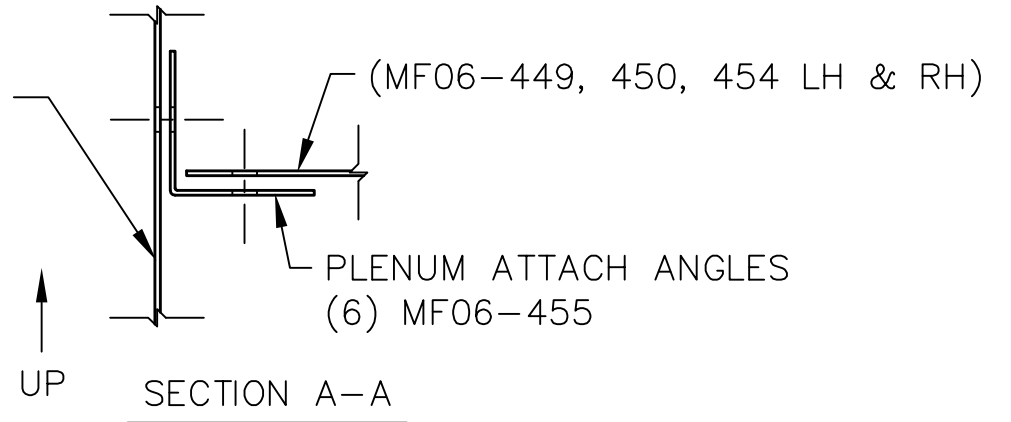
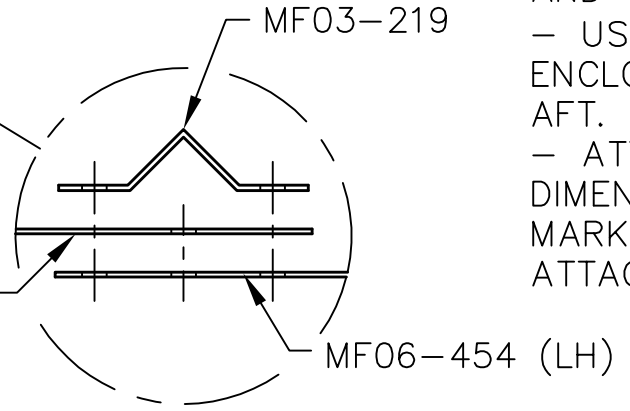


**REVISIONS**

E.C. NO.	REV.	DESCRIPTION	BY	DATE
	A	DRAWING RELEASED	SH	2/09



**NOTES:**  
 - DIMENSIONS FOR THE PLENUM TOP ARE TAKEN FROM THE TOP OF THE LONGERON TUBES TO THE TOP OF THE ENCLOSURE. (FIT RADIATOR PRIOR TO FWD ENCLOSURE INSTALLATION TO ENSURE PLENUM DOES NOT INTERFERE WITH RADIATOR.)  
 - USE (4) MF06-455 ANGLES ON THE FWD ENCLOSURE; ONE ON EACH SIDE, ONE ON THE FWD, AND ONE ON THE AFT.  
 - USE (2) MF06-455 ANGLES ON THE CENTER ENCLOSURE; ONE ON THE FWD SIDE AND ONE ON THE AFT.  
 - ATTACH ANGLES TO BULKHEADS AT GIVEN DIMENSIONS AND POSITION THE ENCLOSURES IN PLACE. MARK RIVET LAYOUT ON ENCLOSURES BEFORE ATTACHING TO ANGLES.



BULKHEAD L10 MF08-534  
 BULKHEAD L9 MF08-533 (L9 FLANGE - MF08-536)  
 BULKHEAD L8 MF03-175  
 BELLY STRINGER MF06-451  
 DIMENSIONS TO PLENUM TOP

DRAWN S. HENDERSON	DATE 2/9/09
CHECKED R. INGLE	DATE 1/25/10
APPROVED K. BROOKS	DATE 1/26/10

**TITAN AIRCRAFT SUPPLY**  
 1419 STATE ROUTE 45 SOUTH  
 AUSTINBURG, OHIO 44010

DETAIL NAME: RADIATOR TOP PLENUM INSTALLATION  
 SCALE: N/A PART NO.:  
 ASSEMBLY NAME:  
 PART NO.: DRAWING NO. F39.1  
 DRAWING NO. **B T51-09-INS-1809-A**

THIS DOCUMENT PROPRIETARY TO TITAN AIRCRAFT, AND IS NOT TO BE USED, CIRCULATED, REPRODUCED, COPIED, OR DISCLOSED IN ANY MANNER WITHOUT PRIOR WRITTEN PERMISSION OF AN AUTHORIZED OFFICIAL OF TITAN AIRCRAFT.