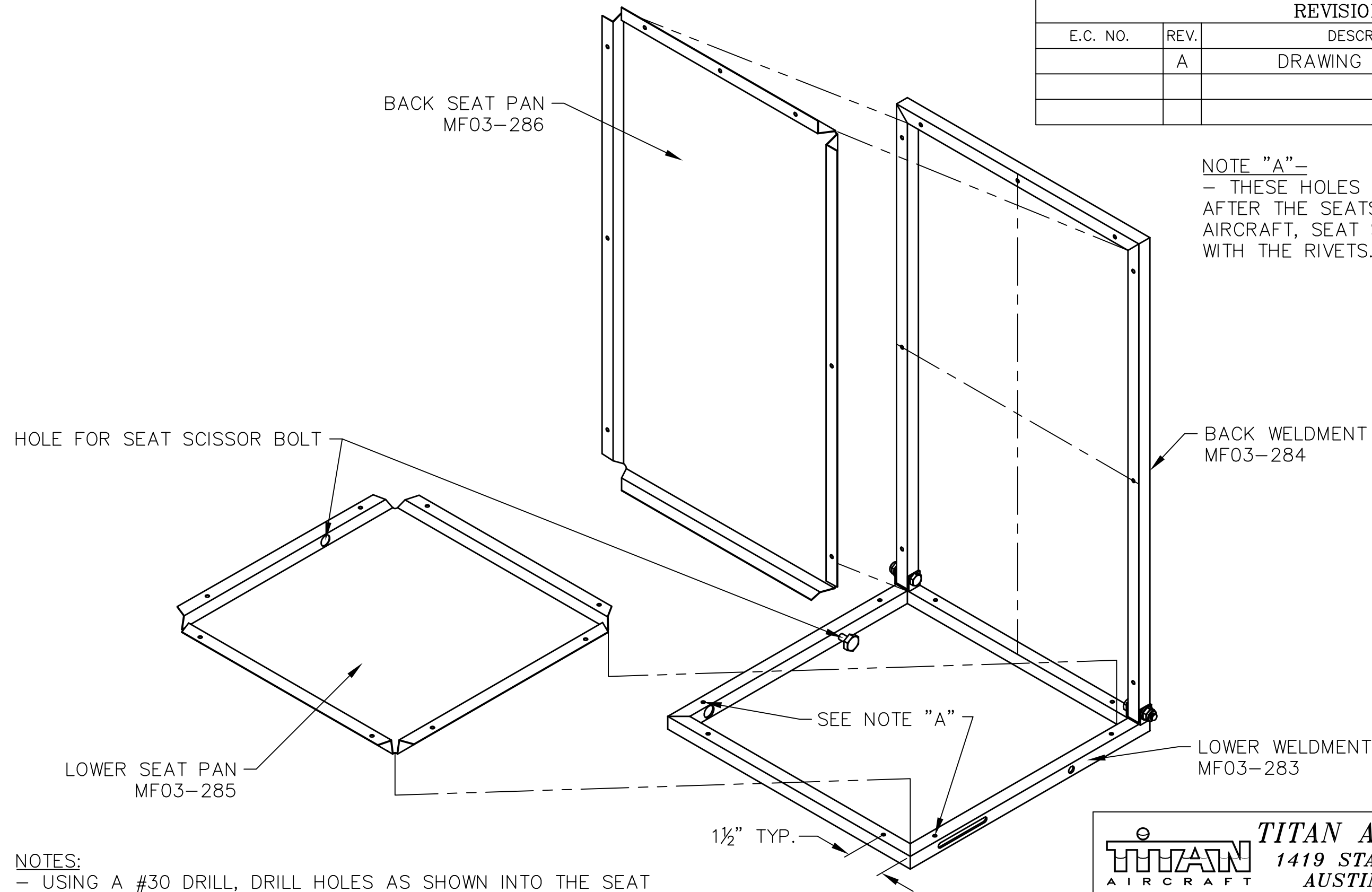


REVISIONS				
E.C. NO.	REV.	DESCRIPTION	BY	DATE
	A	DRAWING RELEASED	SH	3/09



NOTE "A" –
 – THESE HOLES SHOULD ONLY BE DRILLED AFTER THE SEATS ARE INSTALLED IN THE AIRCRAFT, SEAT SCISSORS MAY INTERFERE WITH THE RIVETS.

NOTES:
 – USING A #30 DRILL, DRILL HOLES AS SHOWN INTO THE SEAT PANS & SEAT WELDMENTS.
 – USE SD42BS RIVETS TO ATTACH THE SEAT PANS TO THE SEAT WELDMENTS.
 – REFER TO DRAWING T51-03-INS-0890 FOR SEAT HARDWARE.

TITAN AIRCRAFT SUPPLY
 1419 STATE ROUTE 45 SOUTH
 AUSTINBURG, OHIO 44010

DETAIL NAME: SEAT PAN INSTALLATION
 SCALE: 1/4" = 1" PART NO.:
 ASSEMBLY NAME:
 PART NO.: DRAWING NO. F48.1
 DRAWING NO. **B T51-09-INS-1814-A**

DRAWN S. HENDERSON	DATE 3/19/09
CHECKED	DATE
APPROVED	DATE

THIS DOCUMENT PROPRIETARY TO TITAN AIRCRAFT, AND IS NOT TO BE USED, CIRCULATED, REPRODUCED, COPIED, OR DISCLOSED IN ANY MANNER WITHOUT PRIOR WRITTEN PERMISSION OF AN AUTHORIZED OFFICIAL OF TITAN AIRCRAFT.