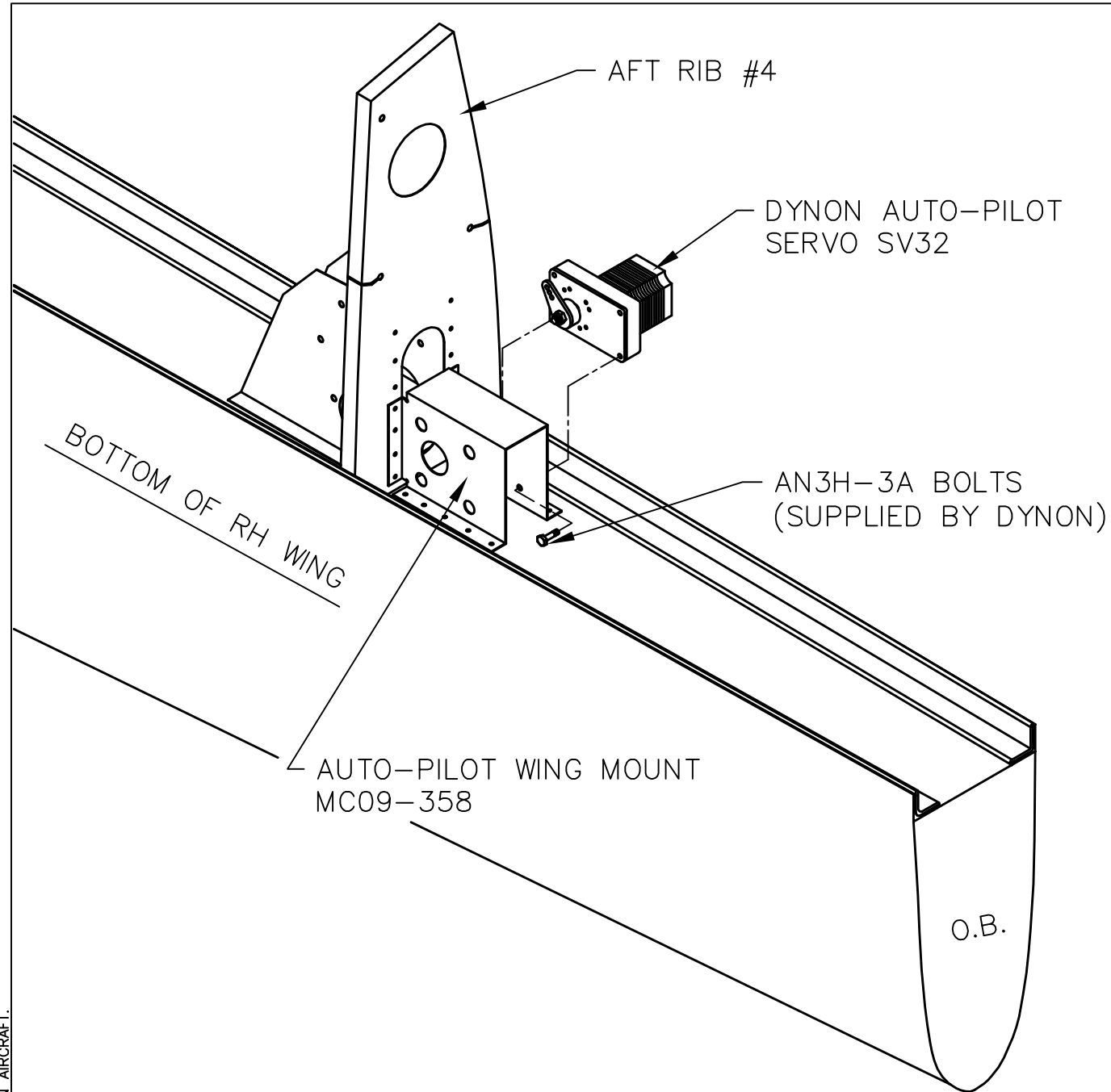


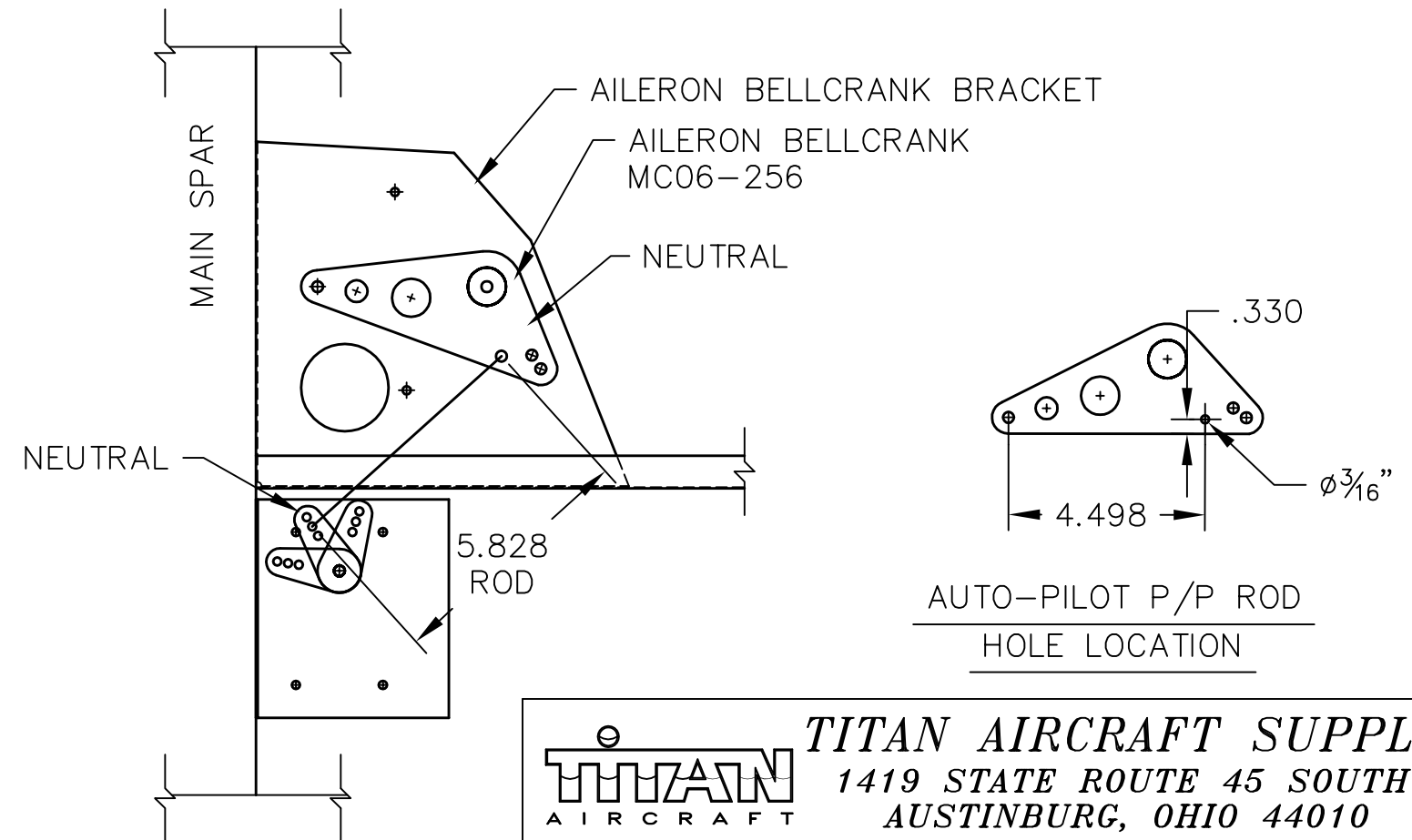
REVISIONS

| E.C. NO. | REV. | DESCRIPTION | BY | DATE |
|----------|------|------------------|----|------|
| | A | DRAWING RELEASED | SH | 4/09 |
| | | | | |
| | | | | |



NOTES:

- THE AUTO-PILOT WING MOUNT (MC09-358) SHOULD BE MOUNTED SO IT BUTTS UP TO THE #4 RIB ON THE OUTBOARD SIDE & THE MAIN SPAR.
- MATCH DRILL RIVET HOLES FROM THE AILERON BELLCRANK BRACKETS TO THE LEGS OF THE AUTO-PILOT MOUNT THAT WILL ATTACH TO RIB #4, ALSO LAYOUT RIVET PATTERN ON THE LEGS THAT WILL BE ATTACH TO THE MAIN SPAR. BOND AND RIVET IN PLACE W/ STEEL RIVETS WHEN SATISFIED.
- USE THE "B" HOLE IN THE SERVO ARM, CUT P/P ROD TO LENGTH AND THREAD BOTH ENDS WITH A 1/4-28 TAP. BE SURE THE AILERON BELLCRANK IS IN THE NEUTRAL POSITION WHEN ATTACHING THE P/P ROD.
- IT MAY BE NECESSARY TO ADD ANOTHER ACCESS PANEL TO THE LOWER WING SKIN, IN ORDER TO SERVICE THE SERVO ONCE AIRCRAFT IS ASSEMBLED.



TITAN AIRCRAFT SUPPLY
 1419 STATE ROUTE 45 SOUTH
 AUSTINBURG, OHIO 44010

DETAIL NAME DYNON AUTO PILOT INSTALLATION (AILERON)

| | | |
|-----------------------|----------------|---|
| DRAWN S. HENDERSON | DATE 4/2/09 | SCALE 1/4"=1" PART NO. |
| CHECKED | DATE | ASSEMBLY NAME DYNON AUTO PILOT SERVO SV32 |
| APPROVED | DATE | PART NO. DRAWING NO. 02 |
| | | DRAWING NO. B T51-09-INS-1819-A |

THIS DOCUMENT PROPRIETARY TO TITAN AIRCRAFT, AND IS NOT TO BE USED, CIRCULATED, REPRODUCED, COPIED, OR DISCLOSED IN ANY MANNER WITHOUT PRIOR WRITTEN PERMISSION OF AN AUTHORIZED OFFICIAL OF TITAN AIRCRAFT.