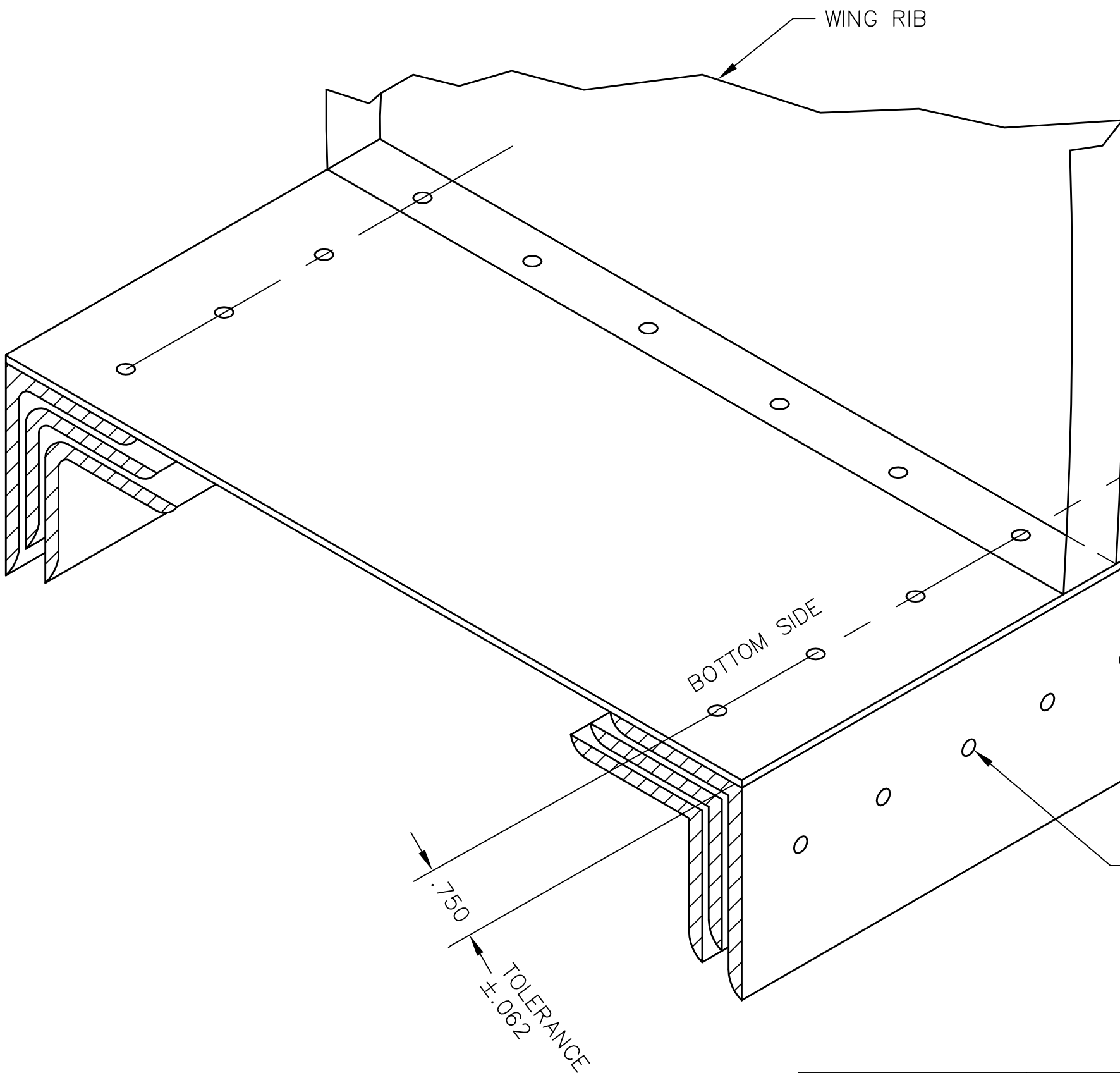


THIS DOCUMENT PROPRIETARY TO TITAN AIRCRAFT, AND IS NOT TO BE USED, CIRCULATED, REPRODUCED, COPIED, OR DISCLOSED IN ANY MANNER WITHOUT PRIOR WRITTEN PERMISSION OF AN AUTHORIZED OFFICIAL OF TITAN AIRCRAFT.



| REVISIONS | | | | |
|-----------|------|------------------|----|------|
| E.C. NO. | REV. | DESCRIPTION | BY | DATE |
| | A | DRAWING RELEASED | KL | 6/01 |
| 2204 | B | PART REMOVED | SH | 5/07 |



TITAN
AIRCRAFT

TITAN AIRCRAFT SUPPLY
1419 STATE ROUTE 45 SOUTH
AUSTINBURG, OHIO 44010

| | | | | |
|---------------|------|----------------------------|--|--|
| DETAIL NAME | | INTERNAL FUEL LINE ROUTING | | |
| SCALE | FULL | PART NO. N/A | | |
| ASSEMBLY NAME | | ALL TORNADO WINGS | | |
| PART NO. N/A | | DRAWING NO. | | |
| DRAWING NO. | | B 01-INS-1234-B | | |

| | | | |
|----------|-----------|------|--------|
| DRAWN | K. LIPLIN | DATE | 6/7/01 |
| CHECKED | | DATE | |
| APPROVED | | DATE | |