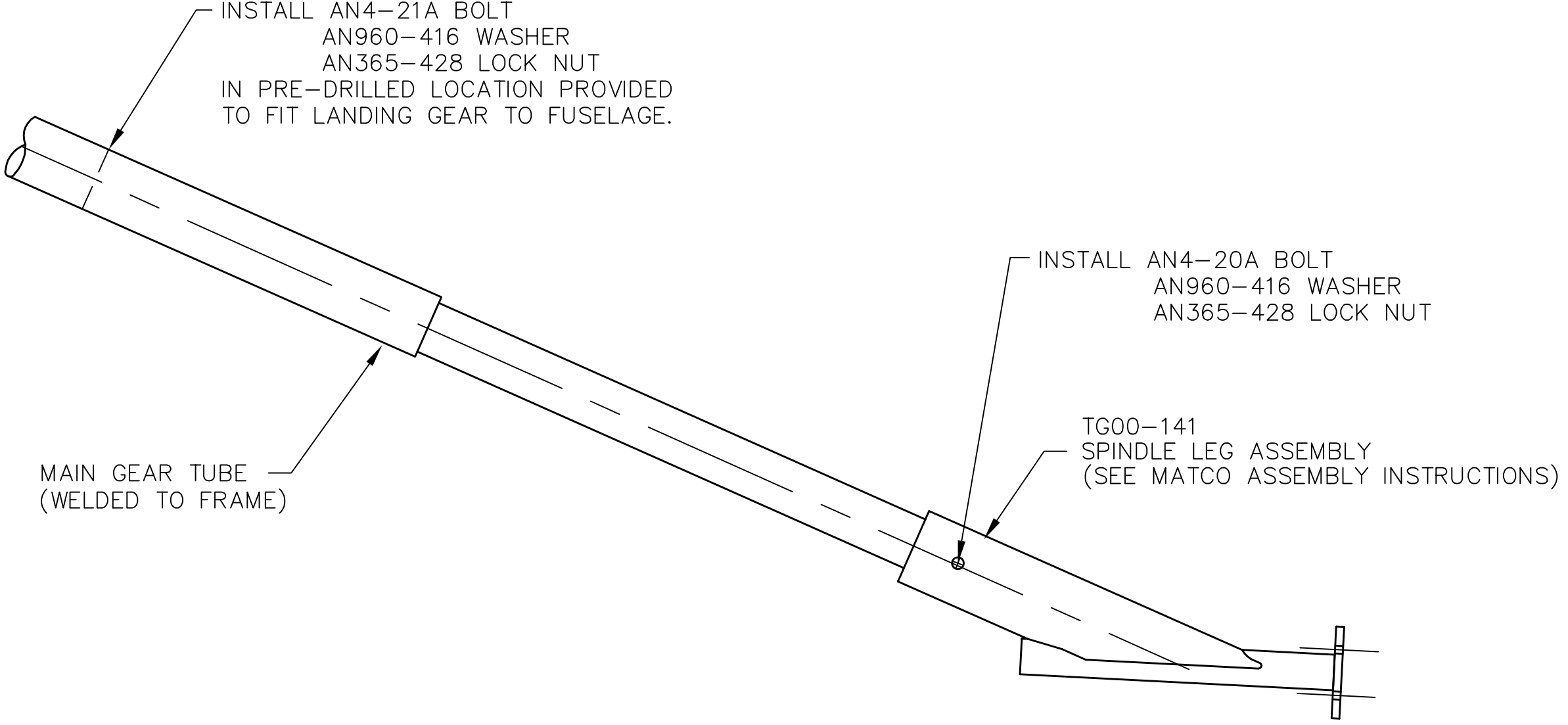


REVISIONS				
E.C. NO.	REV.	DESCRIPTION	BY	DATE
	A	DRAWING RELEASED	CE	10/05



THIS DOCUMENT PROPRIETARY TO TITAN AIRCRAFT, AND IS NOT TO BE USED, CIRCULATED, REPRODUCED, COPIED, OR DISCLOSED IN ANY MANNER WITHOUT PRIOR WRITTEN PERMISSION OF AN AUTHORIZED OFFICIAL OF TITAN AIRCRAFT.


TITAN AIRCRAFT SUPPLY
 1419 STATE ROUTE 45 SOUTH
 AUSTINBURG, OHIO 44010

DRAWN C. EMERY		DATE 10/4/05	DETAIL NAME SS GEAR LEG ASSEMBLY	
CHECKED G. TRUEX		DATE 10/4/05	SCALE N/A	PART NO.
APPROVED J. WILLIAMS		DATE 10/5/05	ASSEMBLY NAME TORNADO SS	
			PART NO.	DRAWING NO.
			DRAWING NO. B 05-INS-1433-A	