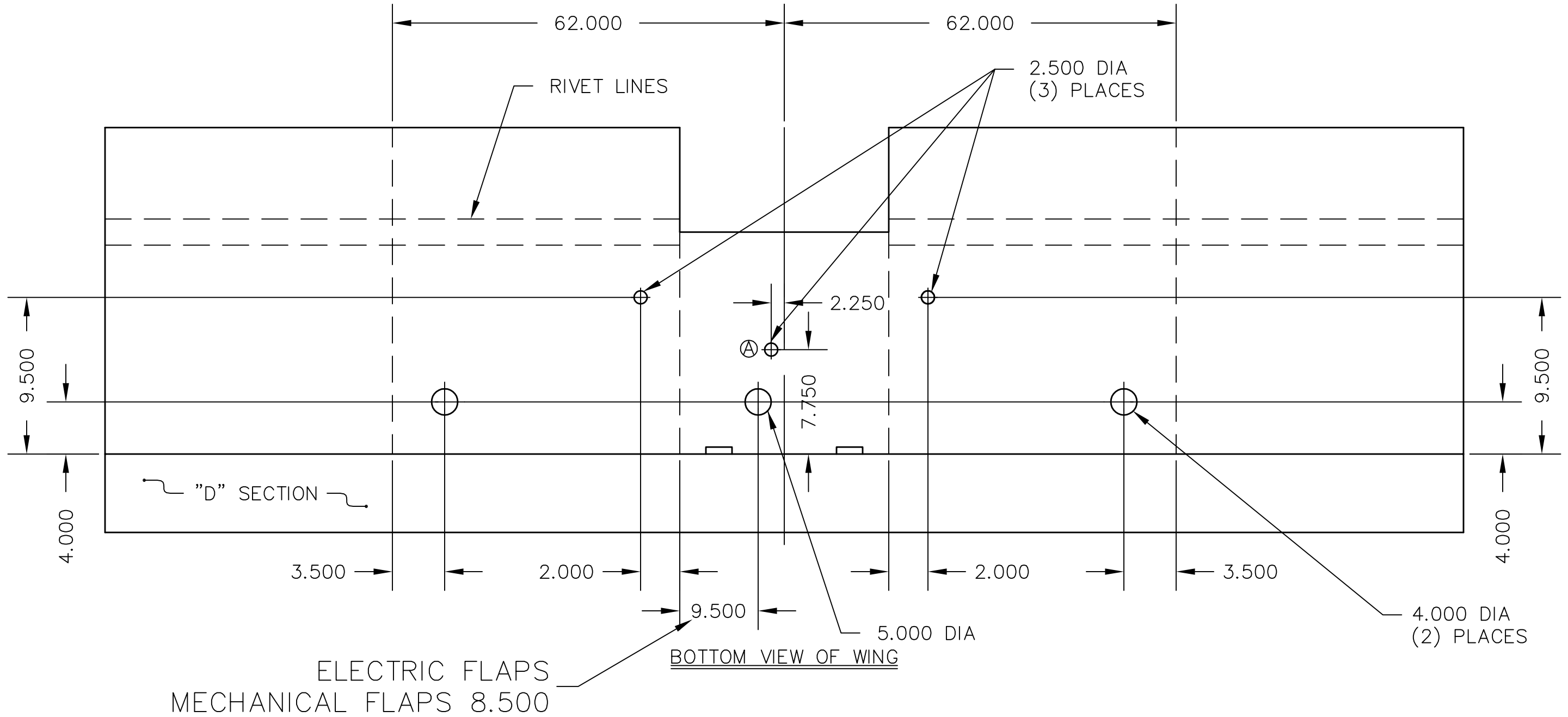


THIS DOCUMENT PROPRIETARY TO TITAN AIRCRAFT, AND IS NOT TO BE USED, CIRCULATED, REPRODUCED, COPIED, OR DISCLOSED IN ANY MANNER WITHOUT PRIOR WRITTEN PERMISSION OF AN AUTHORIZED OFFICIAL OF TITAN AIRCRAFT.

REVISIONS				
E.C. NO.	REV.	DESCRIPTION	BY	DATE
	A	DRAWING RELEASED	J.P.	7/92
1884	B	ADDED HOLE FOR ELECTRIC FLAPS	KL	3/01



NOTE:
 - ALL DIMENSIONS ARE INCHES.
 - Ⓐ FOR ELECTRIC FLAPS ONLY.

TITAN AIRCRAFT SUPPLY
 1419 STATE ROUTE 45 SOUTH
 AUSTINBURG, OHIO 44010

DRAWN J. PRESTON		DATE 7/1/92	DETAIL NAME INSPECTION HOLE LAYOUT	
CHECKED R. INGLE		DATE 3/19/01	SCALE N/A	PART NO. N/A
APPROVED J. WILLIAMS		DATE 3/19/01	ASSEMBLY NAME 20 FOOT WING (STANDARD & VNE)	
			PART NO. N/A	DRAWING NO. B92-INS-0154-B