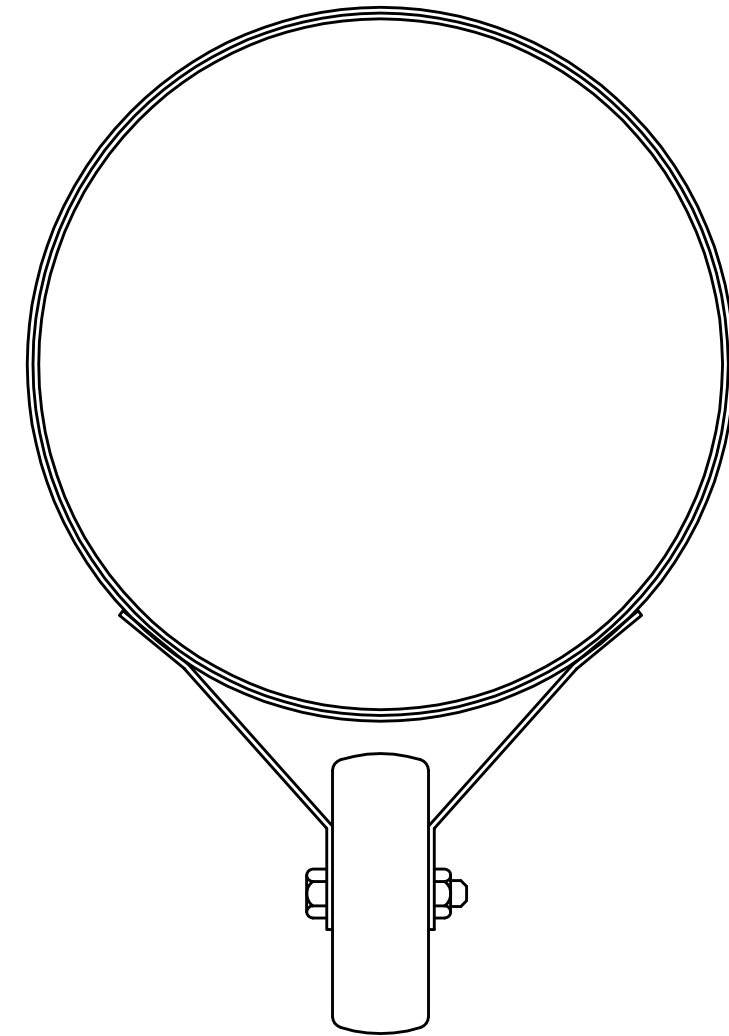
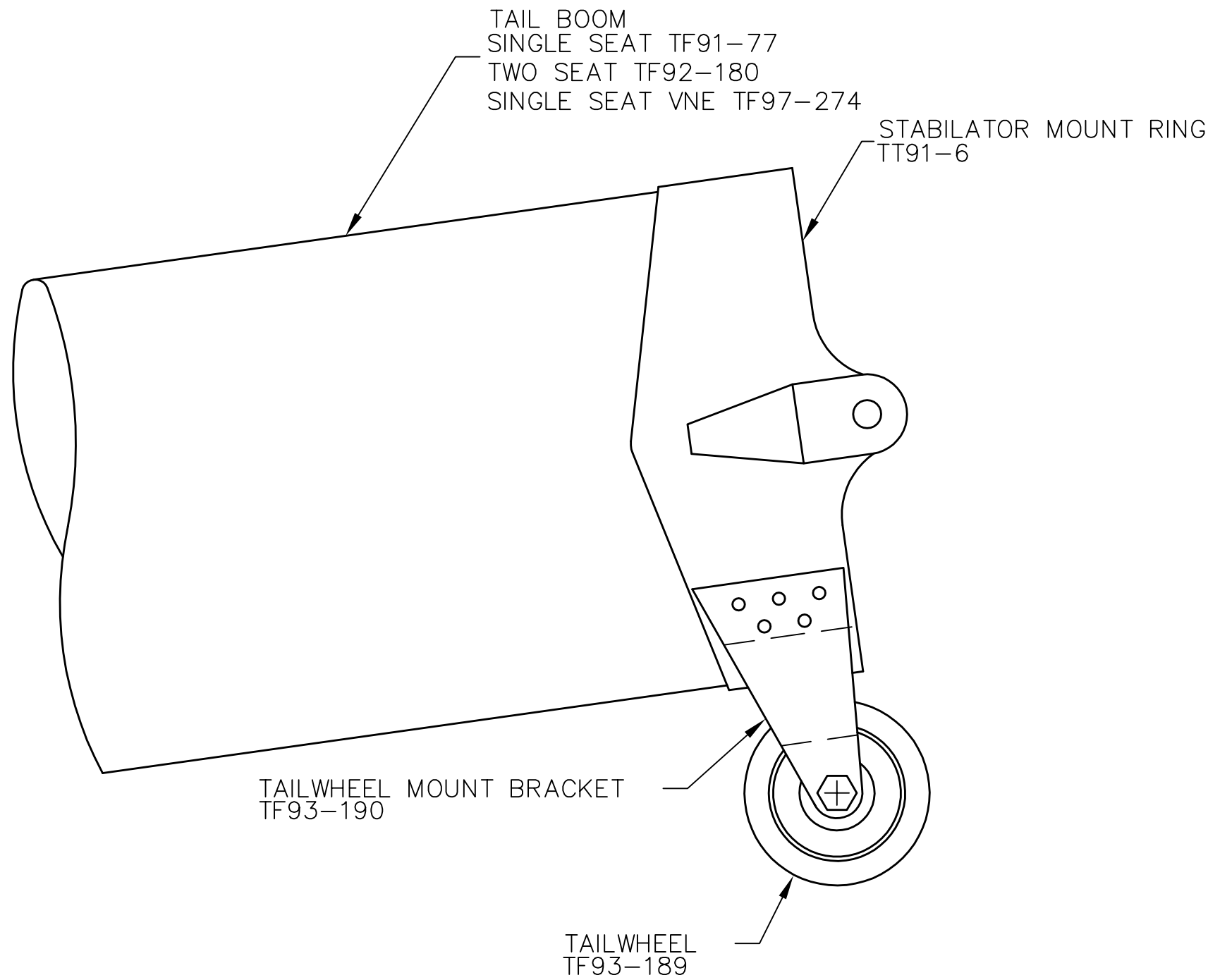


REVISIONS

| E.C. NO. | REV. | DESCRIPTION        | BY | DATE |
|----------|------|--------------------|----|------|
|          | A    | DRAWING RELEASED   | JP | 5/92 |
| 1828     | B    | ADDED PART NUMBERS | KL | 3/01 |



NOTES:

- MOUNT BRACKETS TO TAIL WHEEL USING AN4-16A BOLT, AN365-428A NUT AND AN960-416 WASHER.
- DRILL RIVET HOLES THRU STABILATOR MOUNT RING AND TAIL BOOM USING #30 DRILL (.1285 DIA). USE EXISTING HOLES IN BRACKETS AS A GUIDE.
- RIVET WITH SD48BS (.125 DIA X .640 LONG) RIVETS.

**TITAN AIRCRAFT SUPPLY**  
 1419 STATE ROUTE 45 SOUTH  
 AUSTINBURG, OHIO 44010

|               |     |                                 |  |
|---------------|-----|---------------------------------|--|
| DETAIL NAME   |     | TAILWHEEL MOUNTING INSTRUCTIONS |  |
| SCALE         | N/A | PART NO.                        |  |
| ASSEMBLY NAME |     | ALL TORNADO AIRCRAFT            |  |
| PART NO.      |     | DRAWING NO.                     |  |
| DRAWING NO.   |     | B 92-INS-0195-B                 |  |

|                         |                 |
|-------------------------|-----------------|
| DRAWN<br>J. PRESTON     | DATE<br>5/15/92 |
| CHECKED<br>R. INGLE     | DATE<br>3/5/01  |
| APPROVED<br>J. WILLIAMS | DATE<br>3/5/01  |

THIS DOCUMENT PROPRIETARY TO TITAN AIRCRAFT, AND IS NOT TO BE USED, CIRCULATED, REPRODUCED, COPIED, OR DISCLOSED IN ANY MANNER WITHOUT PRIOR WRITTEN PERMISSION OF AN AUTHORIZED OFFICIAL OF TITAN AIRCRAFT.