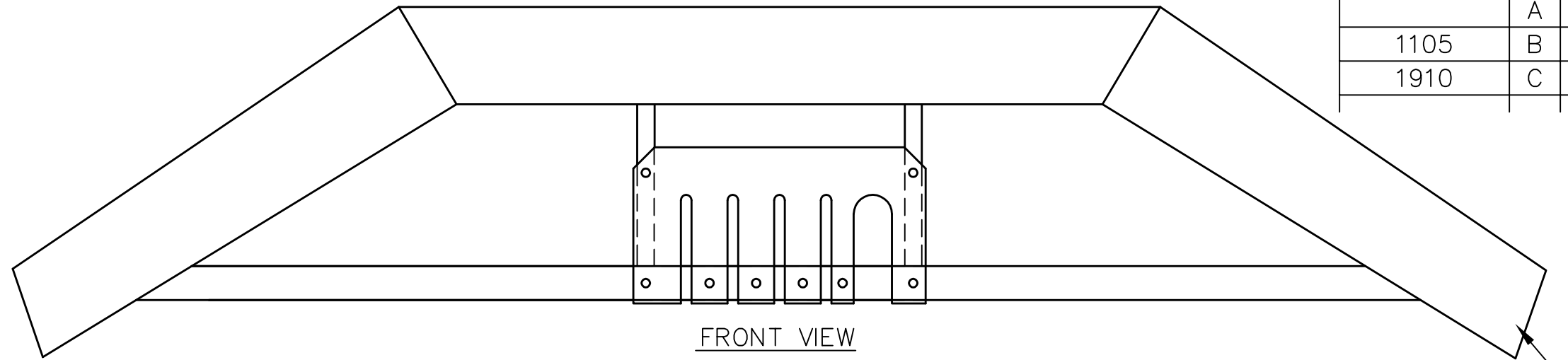


REVISIONS

E.C. NO.	REV.	DESCRIPTION	BY	DATE
	A	DRAWING RELEASED	JP	5/92
1105	B	SHOWING CURRENT TRUSS	K.B.	6/97
1910	C	ADDED CONTROL GUIDE PART NO.	KL	3/01



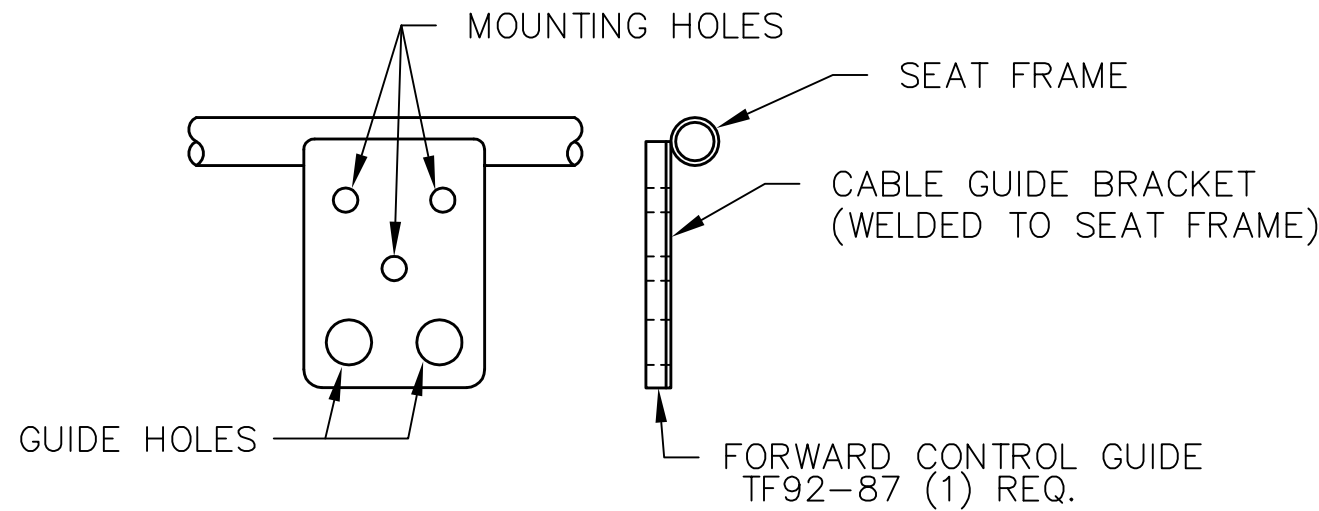
FRONT VIEW

MAIN CONTROL GUIDE MOUNTING DETAILS  
TF91-10 (1) REQ.

MAIN GEAR TUBE WELDMENT  
(WELDED TO FUSELAGE FRAME)

NOTES:

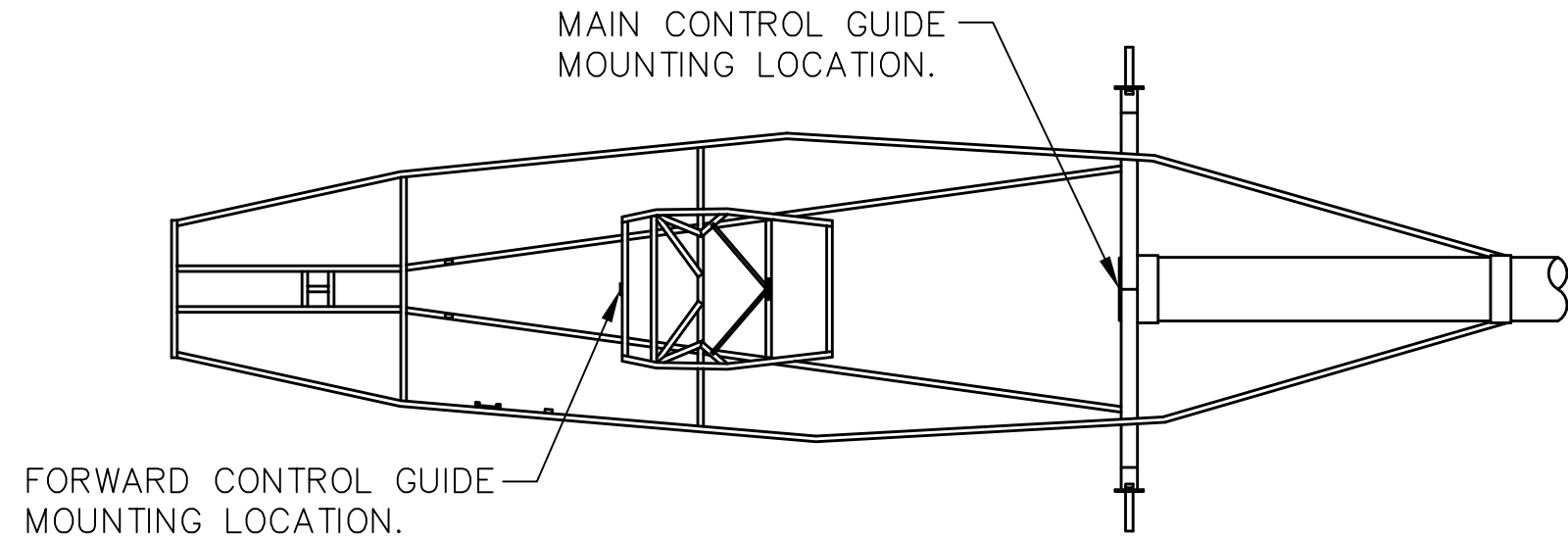
- DRILL (8) PLACES THRU WELDMENT AND MAIN CONTROL GUIDE WITH #30 DRILL (.1285 DIA.).
- RIVET WITH SD43BS (.125 DIA X 21/64 LONG) RIVETS.



NOTES:

- DRILL (3) #30 DRILL (.1285 DIA) MOUNTING HOLES LOCATED AS SHOWN.
- RIVET WITH SD43BS RIVETS. (.125 DIA X .328 LONG)
- DRILL (2) .1875 DIA GUIDE HOLES. CENTER ON EXISTING HOLES SO THAT CABLES WILL NOT RIDE ON CABLE GUIDE BRACKET.

FORWARD CONTROL GUIDE MOUNTING DETAILS



FORWARD CONTROL GUIDE MOUNTING LOCATION.

**TITAN AIRCRAFT SUPPLY**  
 1419 STATE ROUTE 45 SOUTH  
 AUSTINBURG, OHIO 44010

DETAIL NAME		CABLE GUIDE INSTALLATION	
SCALE	N/A	PART NO.	N/A
ASSEMBLY NAME		SINGLE PLACE TORNADO	
PART NO.	N/A	DRAWING NO.	
DRAWING NO.		B 92-INS-0196-C	

DRAWN	J. PRESTON	DATE	5/15/92
CHECKED	R. INGLE	DATE	3/24/01
APPROVED	J. WILLIAMS	DATE	3/24/01

THIS DOCUMENT PROPRIETARY TO TITAN AIRCRAFT. AND IS NOT TO BE USED, CIRCULATED, REPRODUCED, COPIED, OR DISCLOSED IN ANY MANNER WITHOUT PRIOR WRITTEN PERMISSION OF AN AUTHORIZED OFFICIAL OF TITAN AIRCRAFT.