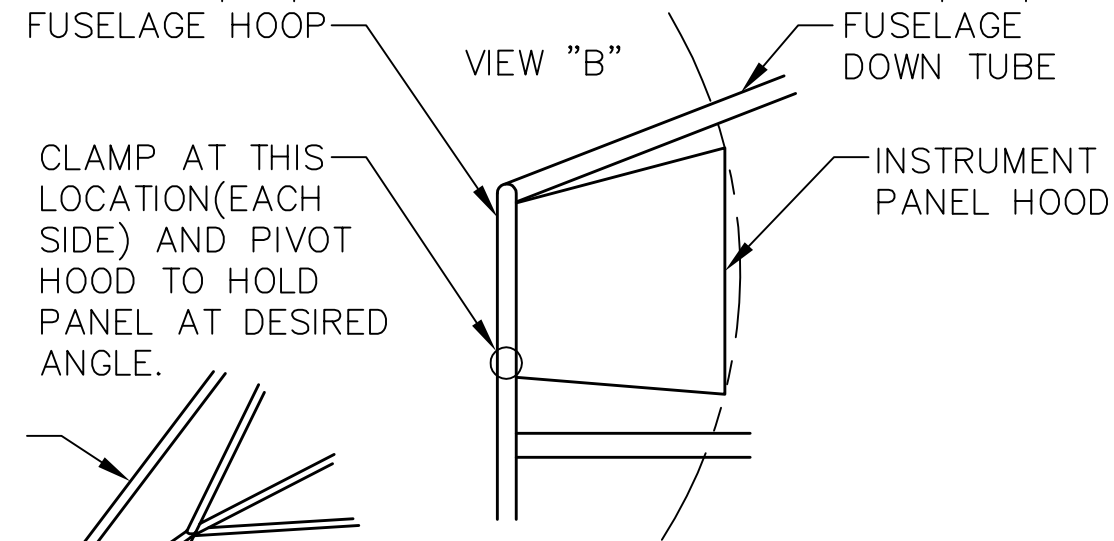
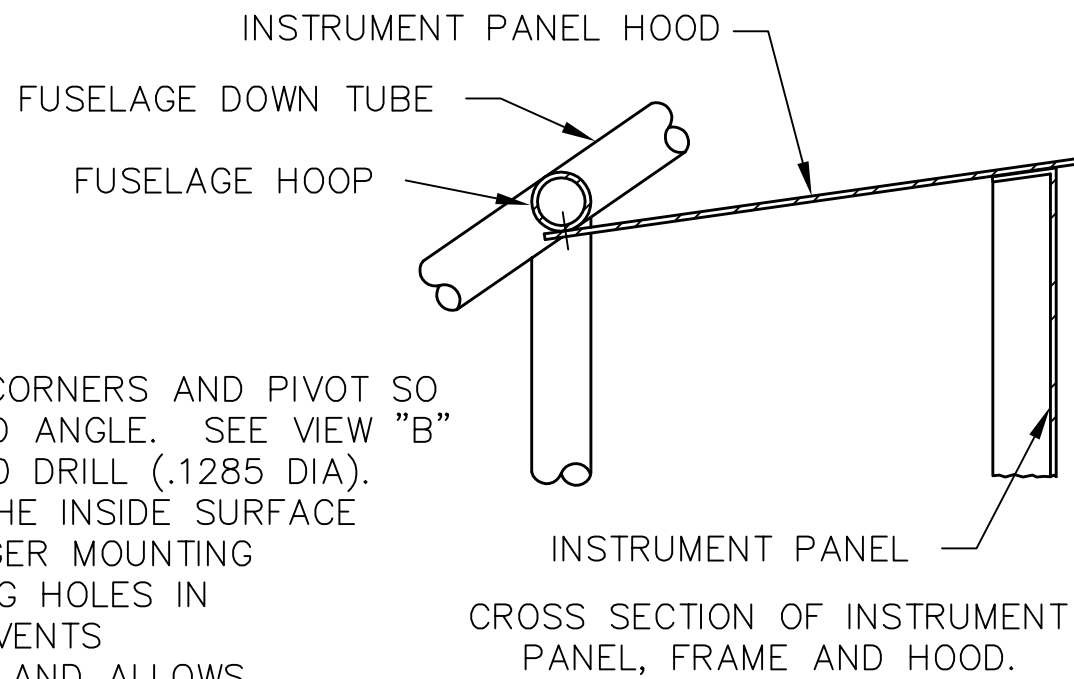


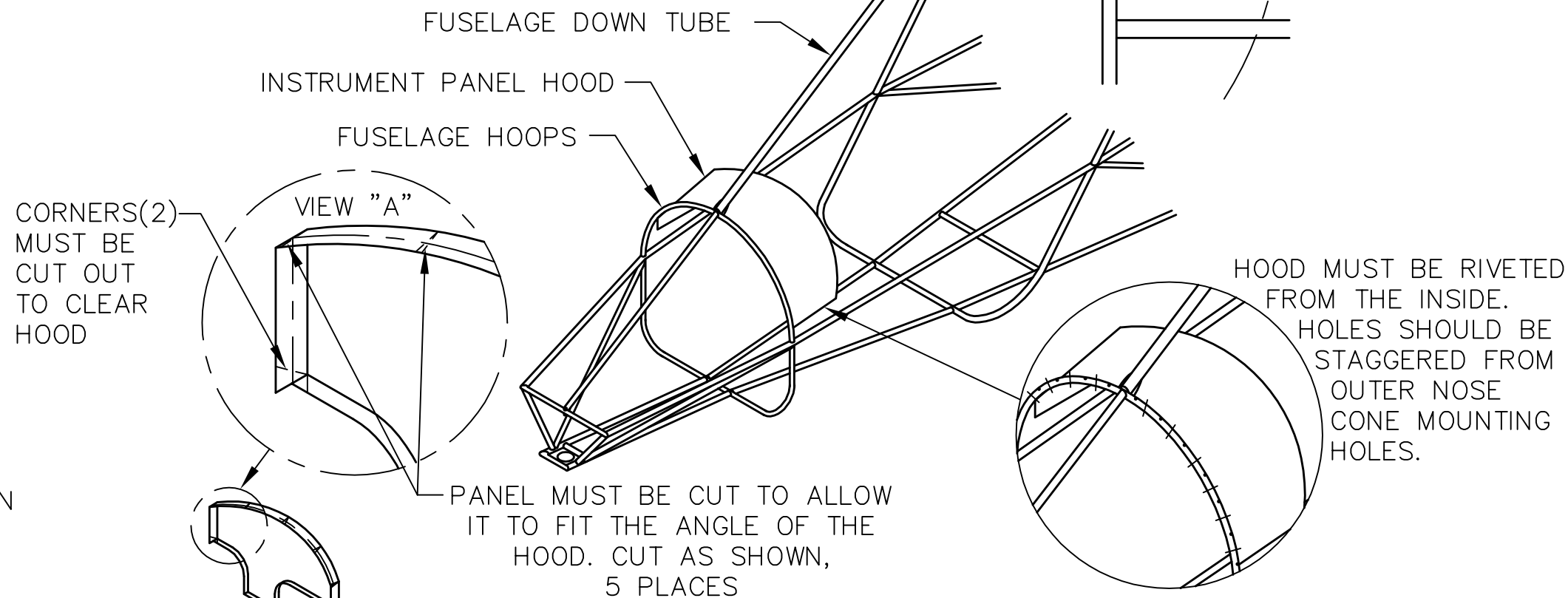
THIS DOCUMENT PROPRIETARY TO TITAN AIRCRAFT, AND IS NOT TO BE USED, CIRCULATED, REPRODUCED, COPIED, OR DISCLOSED IN ANY MANNER WITHOUT PRIOR WRITTEN PERMISSION OF AN AUTHORIZED OFFICIAL OF TITAN AIRCRAFT.

REVISIONS				
E.C. NO.	REV.	DESCRIPTION	BY	DATE
	B	NEW INSTRUMENT PANEL SHOWN	K.B.	10/96
1056	C	INSTRUCTIONS CLARIFIED	K.B.	1/97
1841	D	ADDED INSTRUMENT PANEL P/N	KL	3/01
1863	E	ADDED PART FOR TWO PLACE	KL	3/01




NOTES:

- CLAMP HOOD TO FUSELAGE AT CORNERS AND PIVOT SO THAT PANEL WILL SIT AT DESIRED ANGLE. SEE VIEW "B"
- DRILL MOUNTING HOLES WITH #30 DRILL (.1285 DIA). MOUNTING HOLES MUST BE ON THE INSIDE SURFACE OF THE FUSELAGE HOOP. STAGGER MOUNTING HOLES WITH RESPECT TO EXISTING HOLES IN THE FUSELAGE HOOP. THIS PREVENTS WEAKENING OF FUSELAGE FRAME AND ALLOWS ADEQUATE HARDWARE CLEARANCE.
- CLECO HOOD IN PLACE.
- MEASURE DISTANCE BETWEEN PREDRILLED HOLES IN HOOD AND MARK DISTANCES ON LIP OF INSTRUMENT PANEL. NOTCH PANEL AS SHOWN IN VIEW "A" TO FIT ANGLE OF HOOD BEING CAREFUL *NOT* TO CUT NEAR WHERE MOUNTING HOLES WILL BE DRILLED.
- LAYOUT INSTRUMENTS ON PANEL. POSITION DEEP INSTRUMENTS SO THAT THEY DO NOT COLLIDE WITH FUSELAGE DOWN TUBE OR INSTRUMENT PANEL HOOD.
- CUT AND DRILL OUT NECESSARY HOLES FOR INSTRUMENTS.
- DRAW A CENTER LINE AT 1/2" FROM THE FACE OF THE PANEL AS SHOWN IN VIEW "A". FIT PANEL TO HOOD SO THAT CENTER LINE CAN BE SEEN THRU PRE-DRILLED MOUNTING HOLES IN HOOD. DRILL #30(.1285 DIA.) THRU EACH MOUNTING HOLE.
- FINISH INSTRUMENT PANEL HOOD TO YOUR PERSONAL PREFERENCE.
- INSTALL INSTRUMENT PANEL HOOD WITH SD43ABSLF RIVETS (.125 DIA X .328 LONG).
- MOUNT INSTRUMENTS TO PANEL AND COMPLETE ANY WIRING NEEDED.
- MOUNT INSTRUMENT PANEL TO INSTRUMENT PANEL HOOD.



Ⓣ TF92-112 SINGLE SEAT
 Ⓣ TF95-231 TWO SEAT

DRAWN J. PRESTON	DATE 12/8/92
CHECKED R. INGLE	DATE 3/9/01
APPROVED J. WILLIAMS	DATE 3/9/01



TITAN AIRCRAFT SUPPLY
 1419 STATE ROUTE 45 SOUTH
 AUSTINBURG, OHIO 44010

DETAIL NAME		INSTRUMENT PANEL INSTALLATION	
SCALE	N/A	PART NO.	N/A
ASSEMBLY NAME		ALL TORNADO AIRCRAFT	
PART NO.	N/A	DRAWING NO.	
DRAWING NO.		B 92-INS-0266-E	