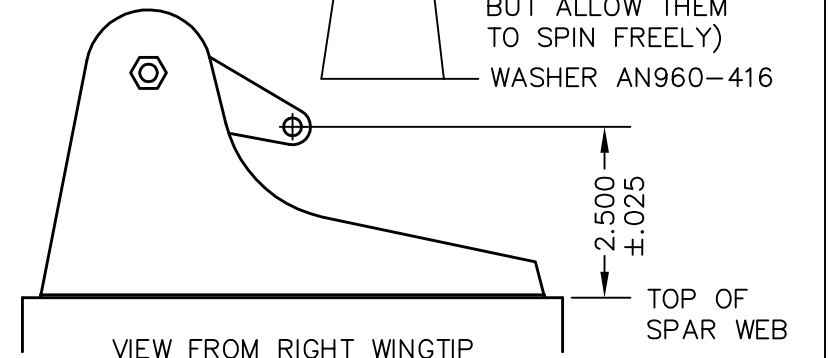
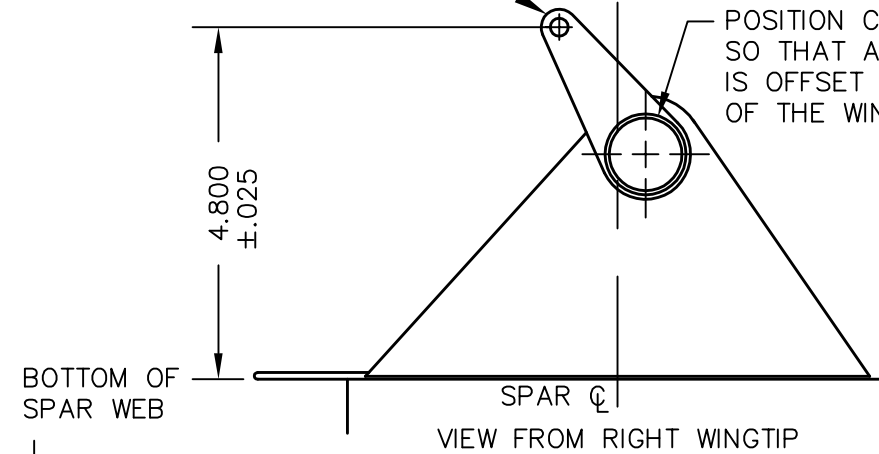
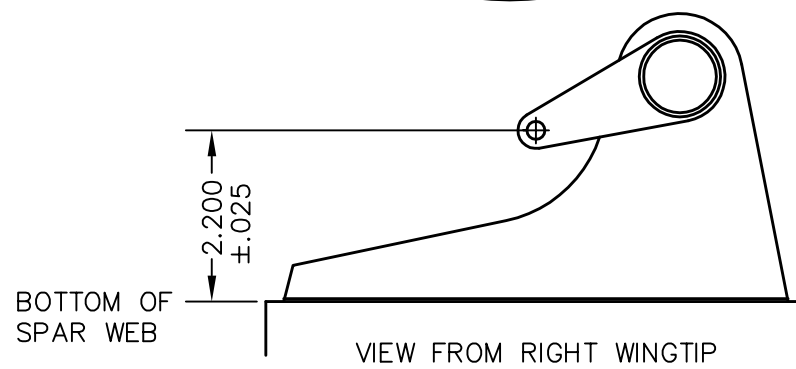
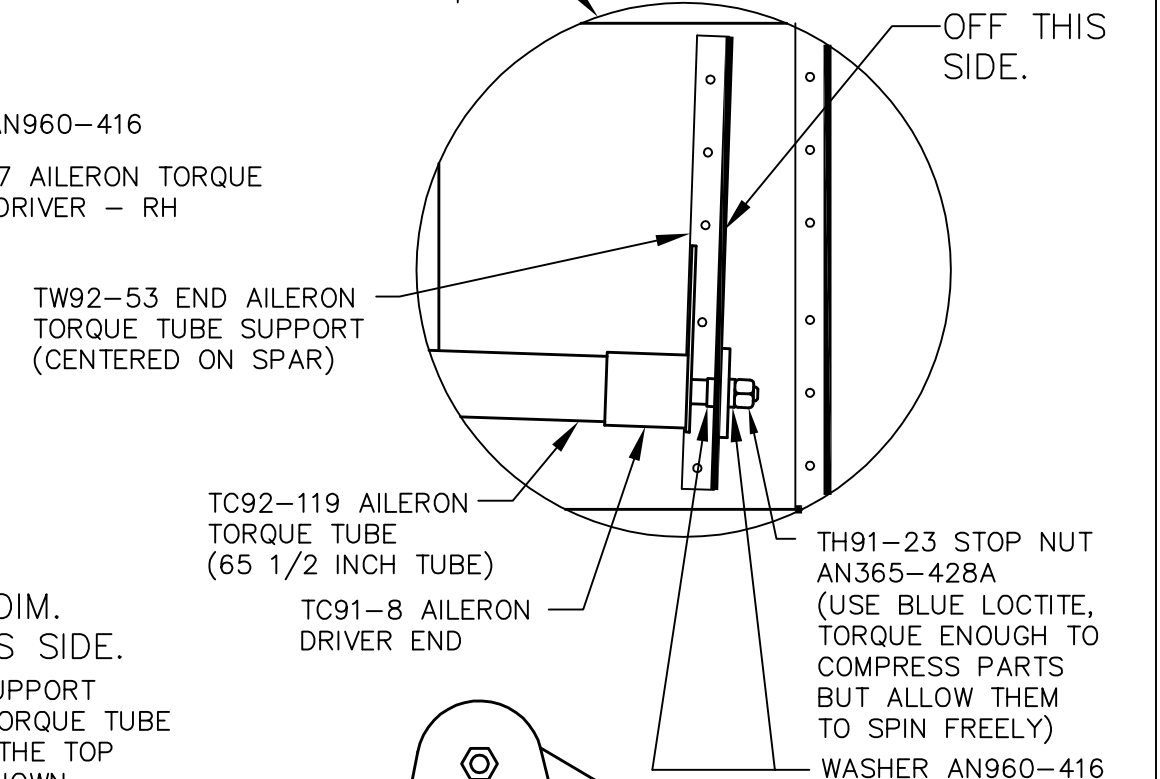
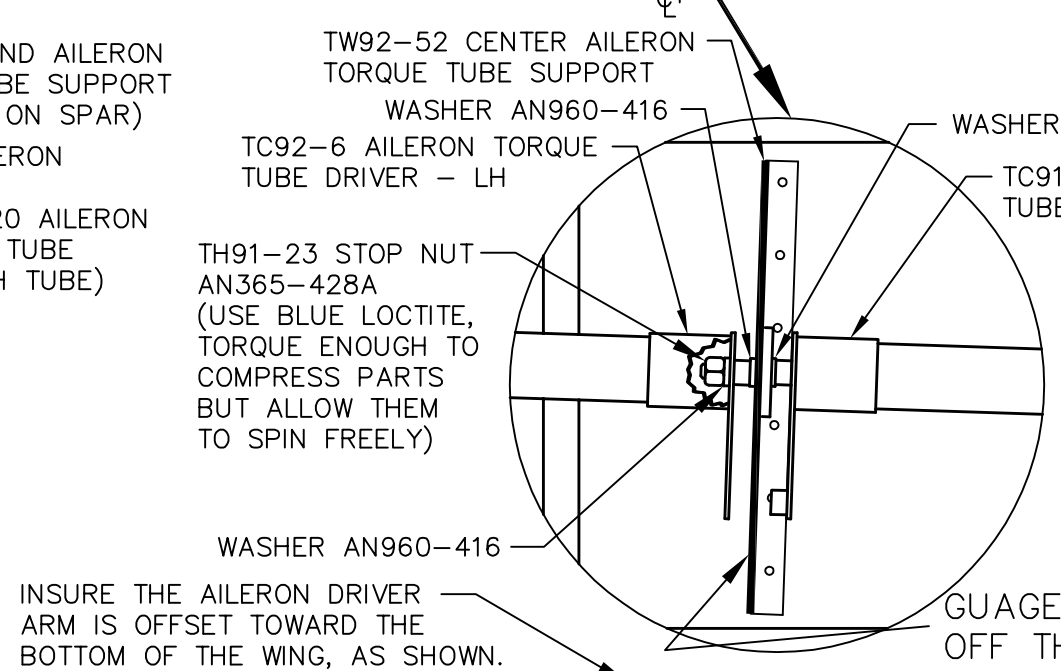
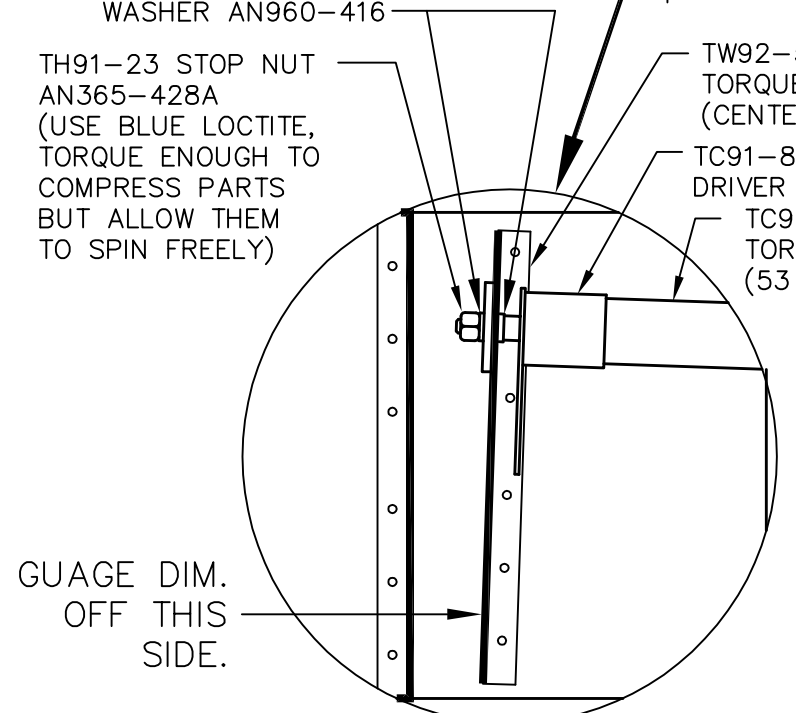
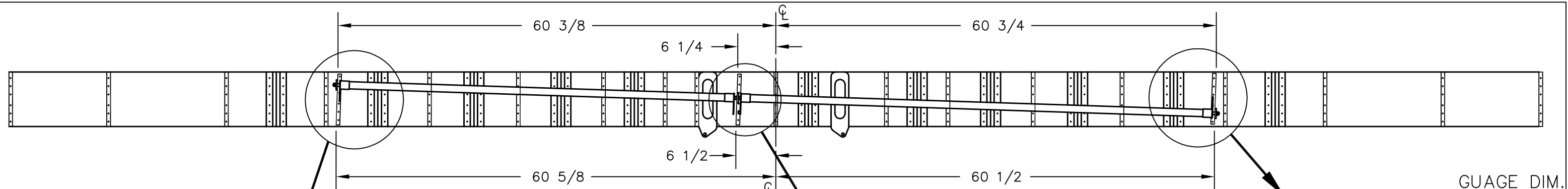
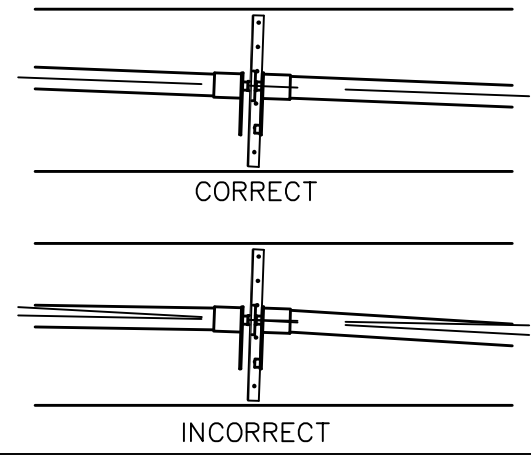
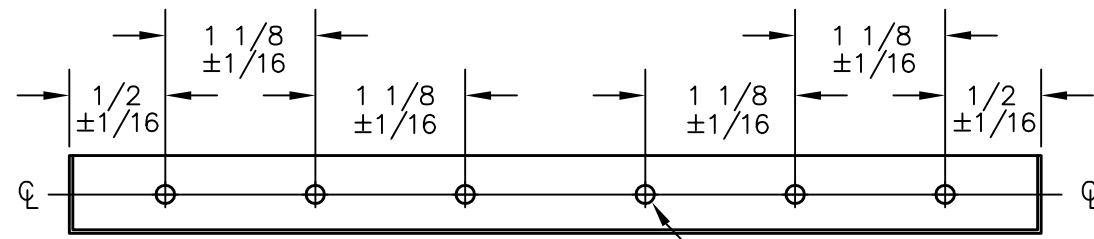


THIS DOCUMENT PROPRIETARY TO TITAN AIRCRAFT, AND IS NOT TO BE USED, CIRCULATED, REPRODUCED, COPIED, OR DISCLOSED IN ANY MANNER WITHOUT PRIOR WRITTEN PERMISSION OF AN AUTHORIZED OFFICIAL OF TITAN AIRCRAFT.



NOTE:
AFTER AILERON DRIVERS HAVE BEEN CORRECTLY ALIGNED, DRILL (8) #30 DRILL (.1285 DIA) HOLES, USE EXISTING HOLES IN AILERON DRIVERS AS A GUIDE. RIVET WITH SD43BS RIVETS. (1/8 DIA X 21/64 LONG)

WARNING
DO NOT DRILL ANY UNSPECIFIED HOLES IN THE SPAR.



MOUNTING HOLE NOTES:
- RIVET TWO OUTER HOLES WITH SD42BS RIVETS. (1/8 DIA X 41/64 LONG)
- RIVET FOUR INNER HOLES WITH SD42BS RIVETS. (1/8 DIA X 13/64 LONG)

MOUNTING HOLE DETAILS FOR TORQUE TUBE SUPPORTS

| | |
|-------------------------|-----------------|
| DRAWN J. PRESTON | DATE 1/15/93 |
| CHECKED R. INGLE | DATE 1/16/01 |
| APPROVED J. WILLIAMS | DATE 1/16/01 |

| | |
|-------------------------------------------------------------------------------------|-------------------------------|
| TITAN AIRCRAFT SUPPLY 1419 STATE ROUTE 45 SOUTH AUSTINBURG, OHIO 44010 | |
| DETAIL NAME | AILERON CONTROL SYSTEM LAYOUT |
| SCALE | N/A |
| PART NO. | |
| ASSEMBLY NAME | SINGLE PLACE 20' WING |
| PART NO. | DRAWING NO. |
| DRAWING NO. | B92-INS-0337-C |