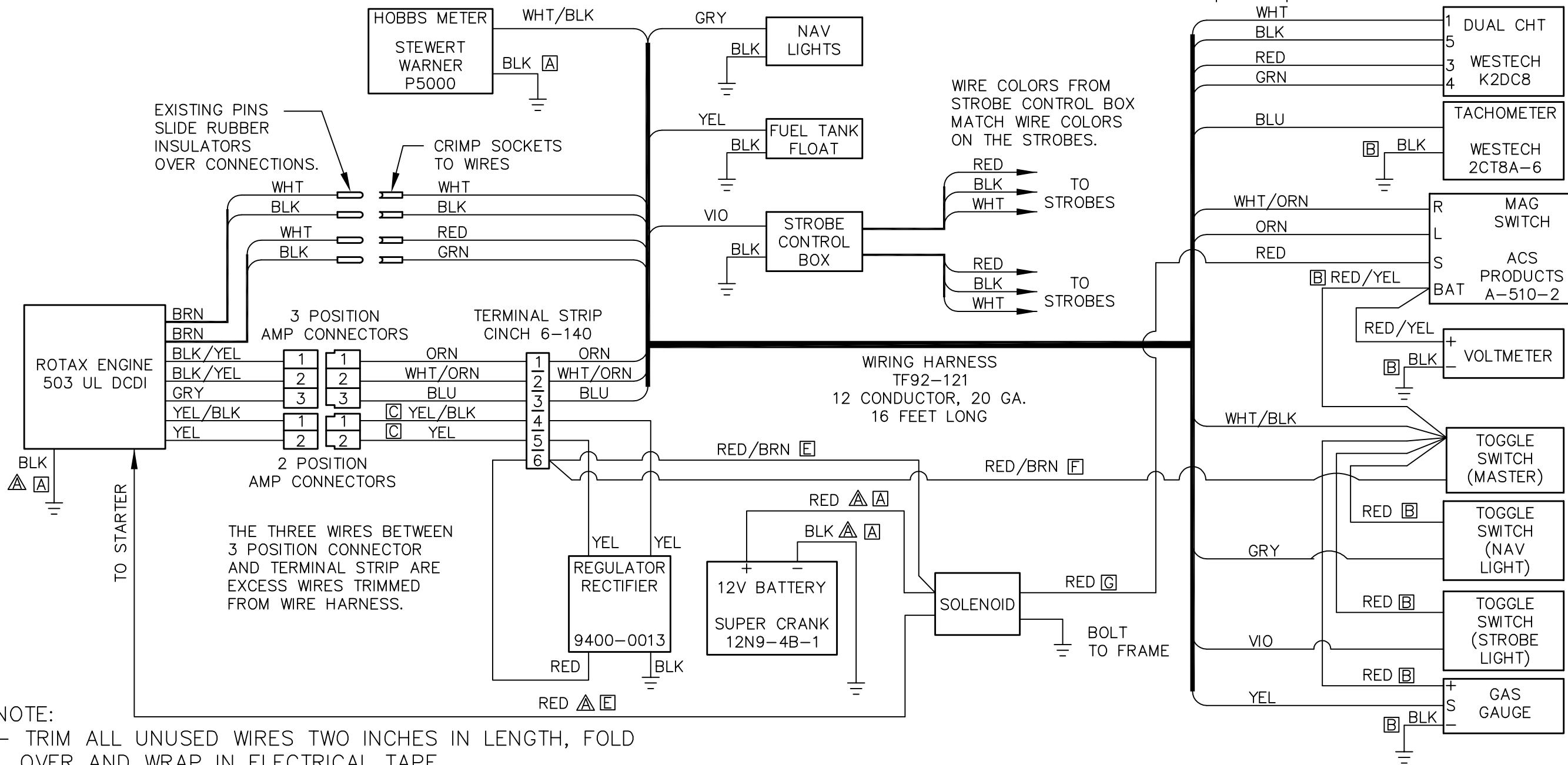


REVISIONS			
REV.	DESCRIPTION	BY	DATE
B	STROBE WAS AND AC CIRCUIT	KB	3/96
C	REGULATOR WAS ROTAX 866-080	KB	7/96



SYMBOL	WIRE LENGTH
A	1 FT.
B	2 FT.
C	4 FT.
D	6 FT.
E	7 FT.
F	10 FT.
G	14 FT.

- NOTE:
- TRIM ALL UNUSED WIRES TWO INCHES IN LENGTH, FOLD OVER AND WRAP IN ELECTRICAL TAPE.
  - REMOVE BROWN GROUND WIRE FROM ENGINE AND REPLACE WITH 8 GAUGE BLACK WIRE.
  - FOR EXPORT AIRCRAFT, USE GREEN/YELLOW GROUND WIRES.
  - USE INSTRUMENTS LISTED OR EQUIVALENTS.
  - LABEL TERMINAL STRIP CONTACTS AND ALL CORRESPONDING WIRES 1 THRU 6.
  - USE SPADE TERMINALS ON CINCH 6-140 TERMINAL STRIP.
  - USE RING TERMINALS ON MAG SWITCH AND TOGGLE SWITCHES.
  - WIRES MARKED  $\Delta$  ARE 8 GAUGE, WIRES FROM HARNESS ARE 20 GAUGE, ALL OTHER WIRES ARE 14 GAUGE.

**TITAN AIRCRAFT SUPPLY**  
 1419 STATE ROUTE 45 SOUTH  
 AUSTINBURG, OHIO 44010

MATERIAL AS NOTED		DETAIL NAME WIRING DIAGRAM	
DRAWN J. PRESTON	DATE 3/5/93	SCALE	PART NO.
CHECKED B. PASSAFIUME	DATE 7/16/96	ASSEMBLY NAME ROTAX 503 WITH ELECTRIC START	
APPROVED J. SUTCH	DATE 7/16/96	PART NO.	DRAWING NO.
		DRAWING NO. <b>B 93-DT-0366-C</b>	

THIS DOCUMENT PROPRIETARY TO TITAN AIRCRAFT, AND IS NOT TO BE USED, CIRCULATED, REPRODUCED, COPIED, OR DISCLOSED IN ANY MANNER WITHOUT PRIOR WRITTEN PERMISSION OF AN AUTHORIZED OFFICIAL OF TITAN AIRCRAFT.