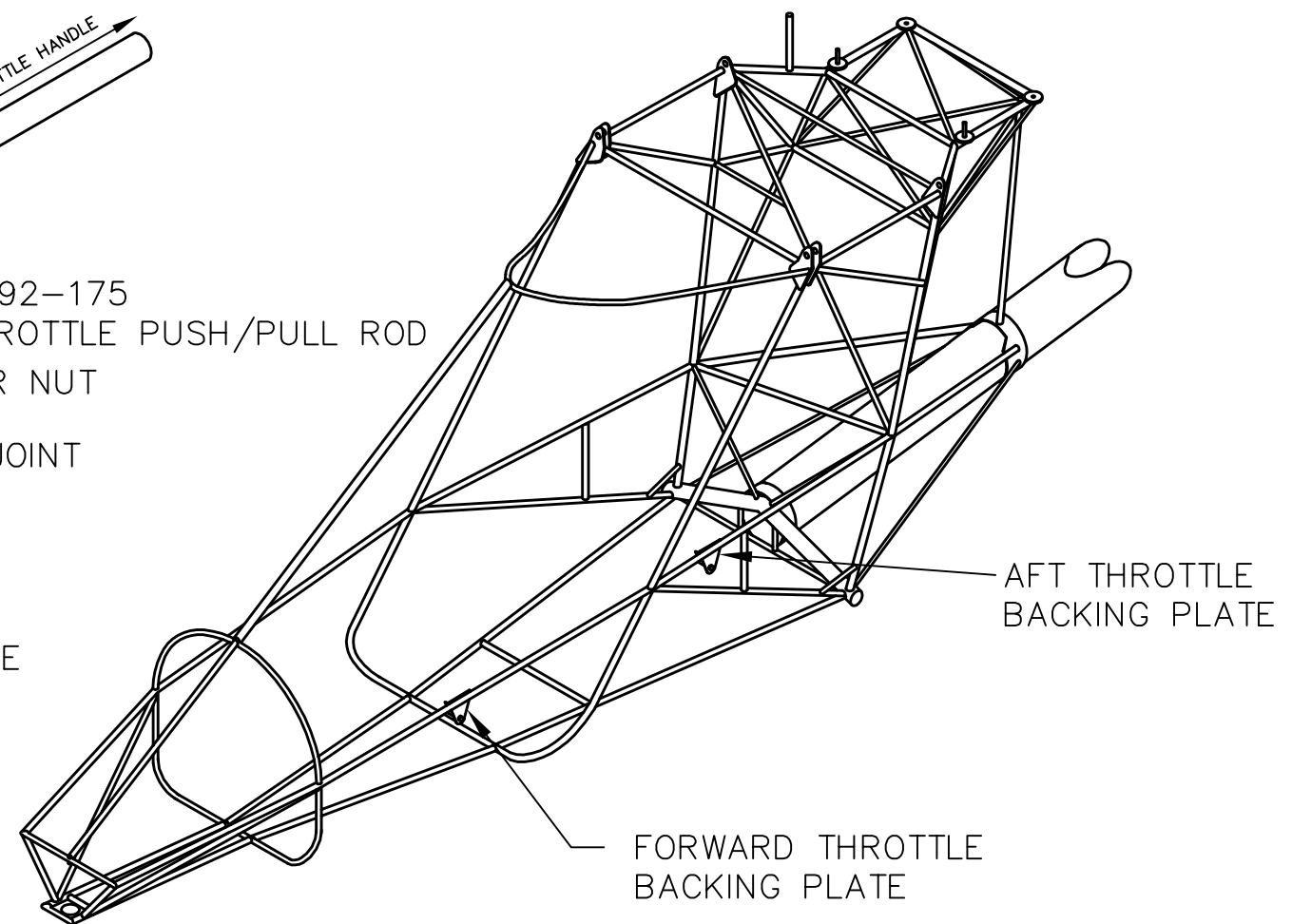
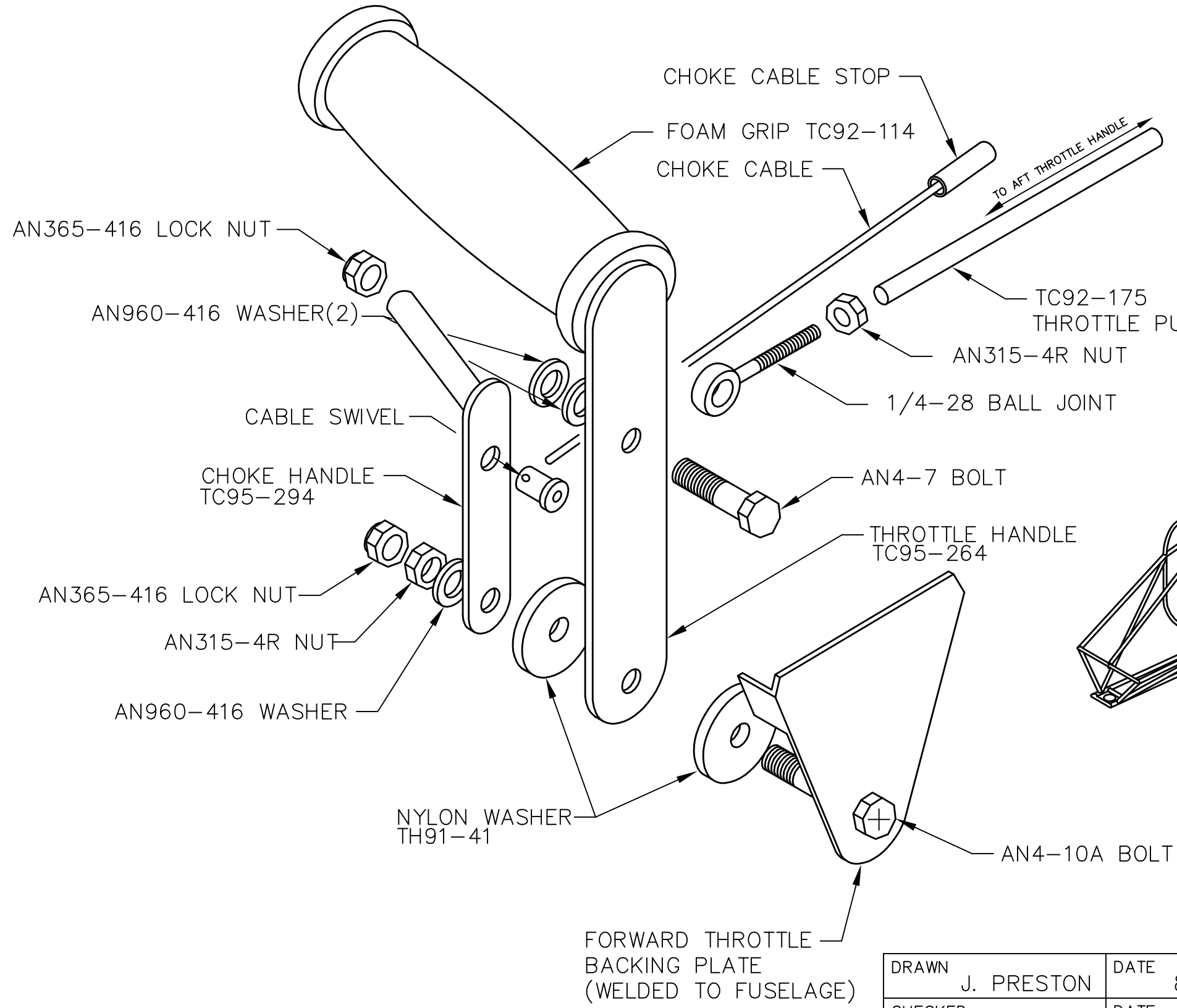


REVISIONS

E.C. NO.	REV.	DESCRIPTION	BY	DATE
	A	DRAWING RELEASED	JP	8/92
1850	B	ADDED PART NUMBERS	KL	3/01



THIS DOCUMENT PROPRIETARY TO TITAN AIRCRAFT, AND IS NOT TO BE USED, CIRCULATED, REPRODUCED, COPIED, OR DISCLOSED IN ANY MANNER WITHOUT PRIOR WRITTEN PERMISSION OF AN AUTHORIZED OFFICIAL OF TITAN AIRCRAFT.

TITAN AIRCRAFT SUPPLY
 1419 STATE ROUTE 45 SOUTH
 AUSTINBURG, OHIO 44010

DETAIL NAME	FORWARD THROTTLE HANDLE ASSEMBLY		
SCALE	N/A	PART NO.	
ASSEMBLY NAME	TWO PLACE TORNADO W/ 912 ENGINE		
PART NO.	DRAWING NO.		
DRAWING NO.	B 96-INS-0678-B		

DRAWN	J. PRESTON	DATE	8/4/92
CHECKED	R. INGLE	DATE	3/5/01
APPROVED	J. WILLIAMS	DATE	3/5/01

FORWARD THROTTLE BACKING PLATE (WELDED TO FUSELAGE)